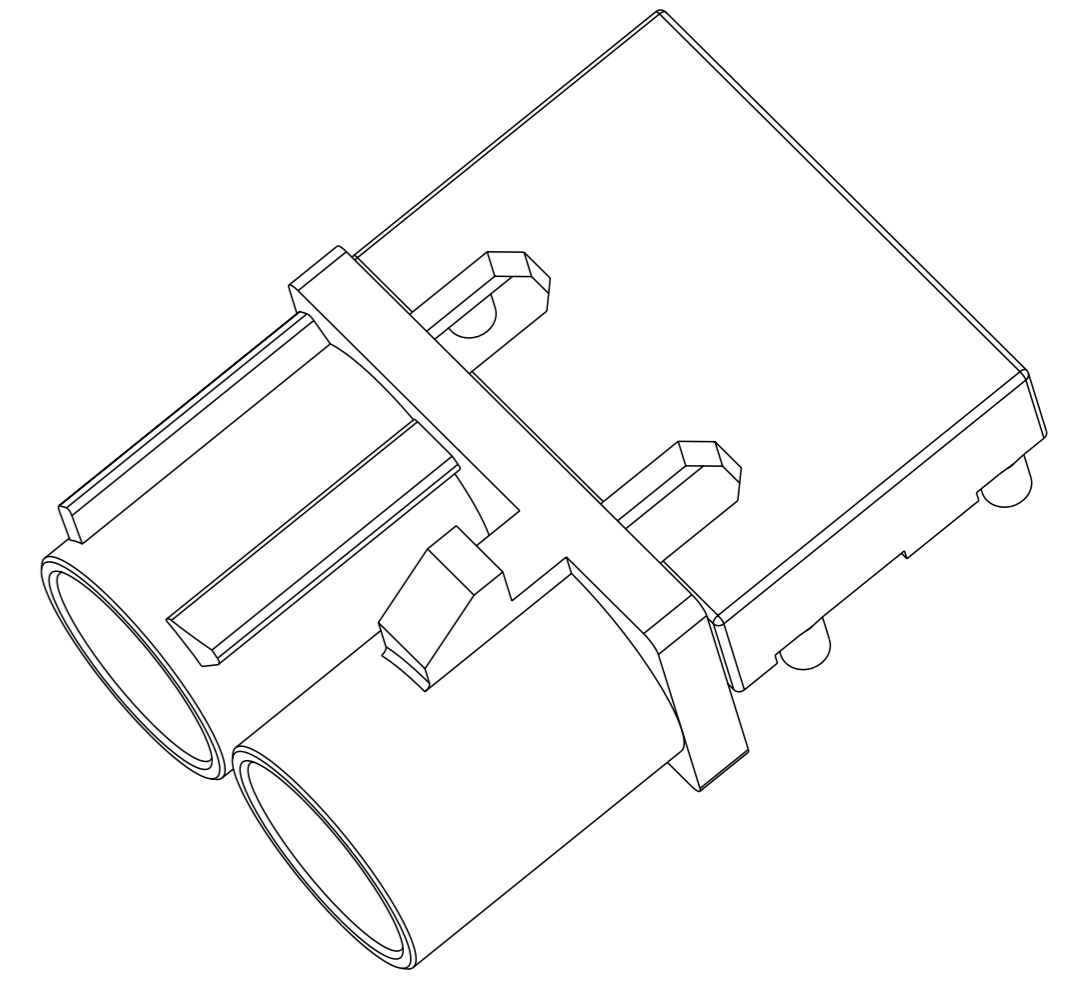
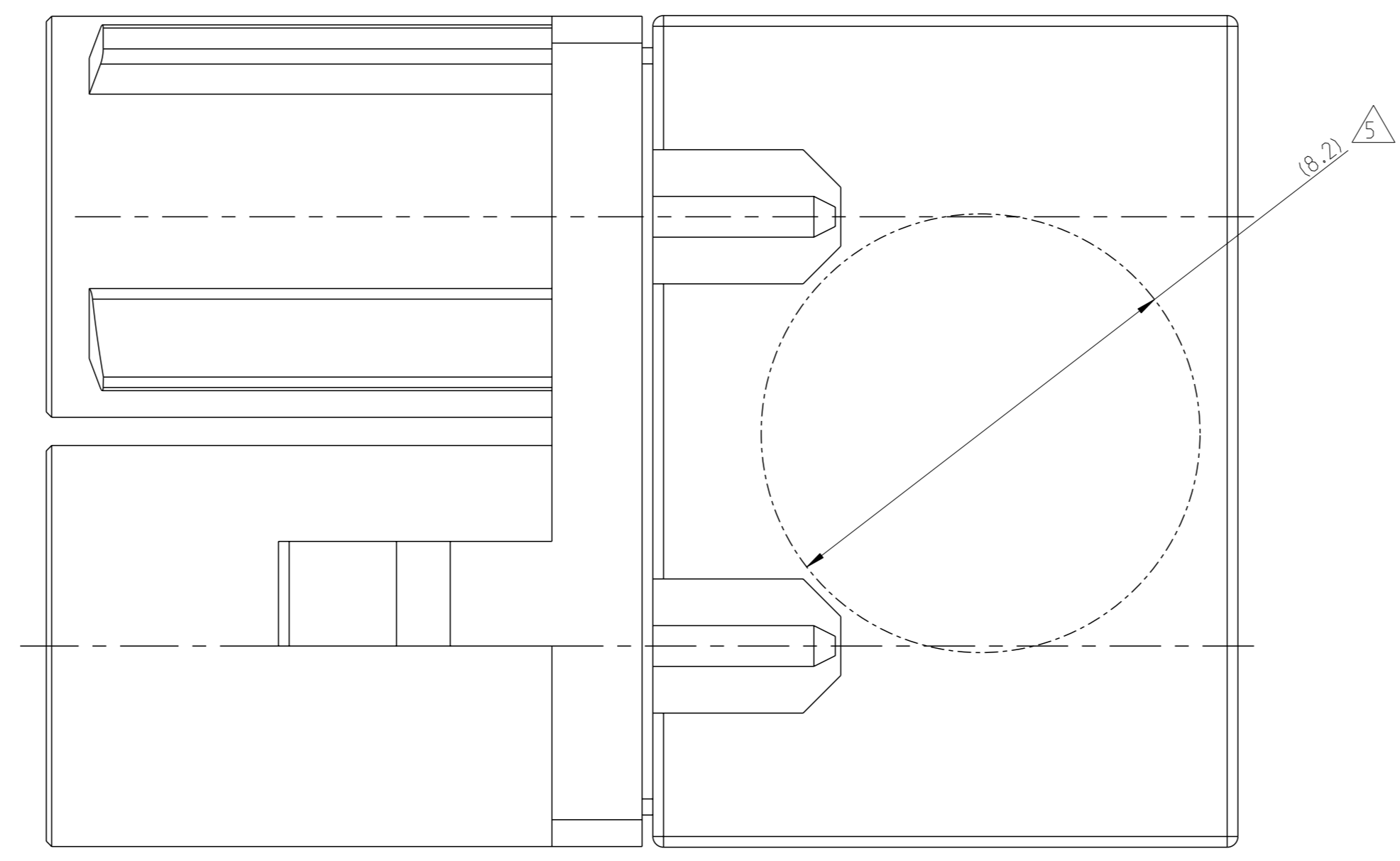
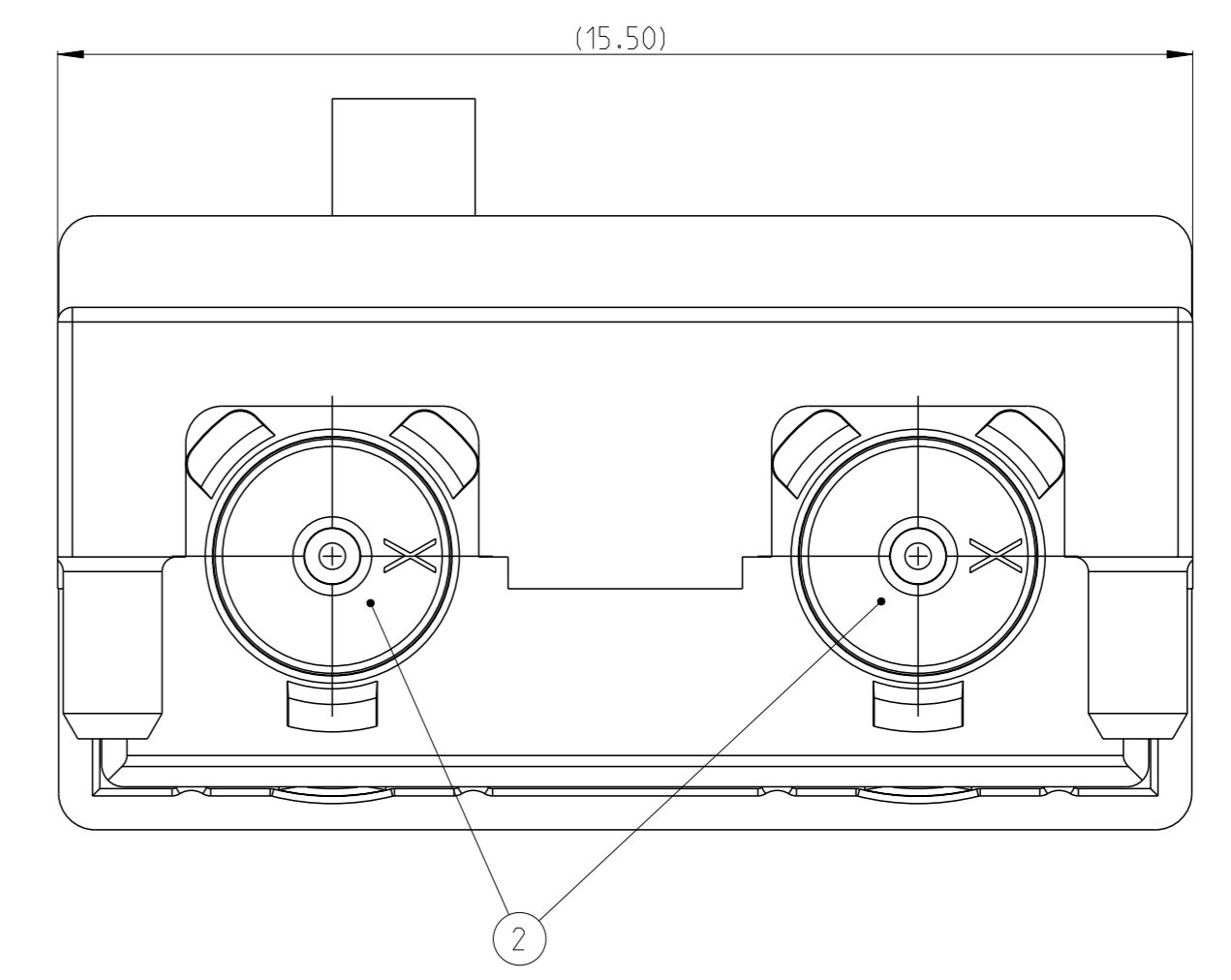
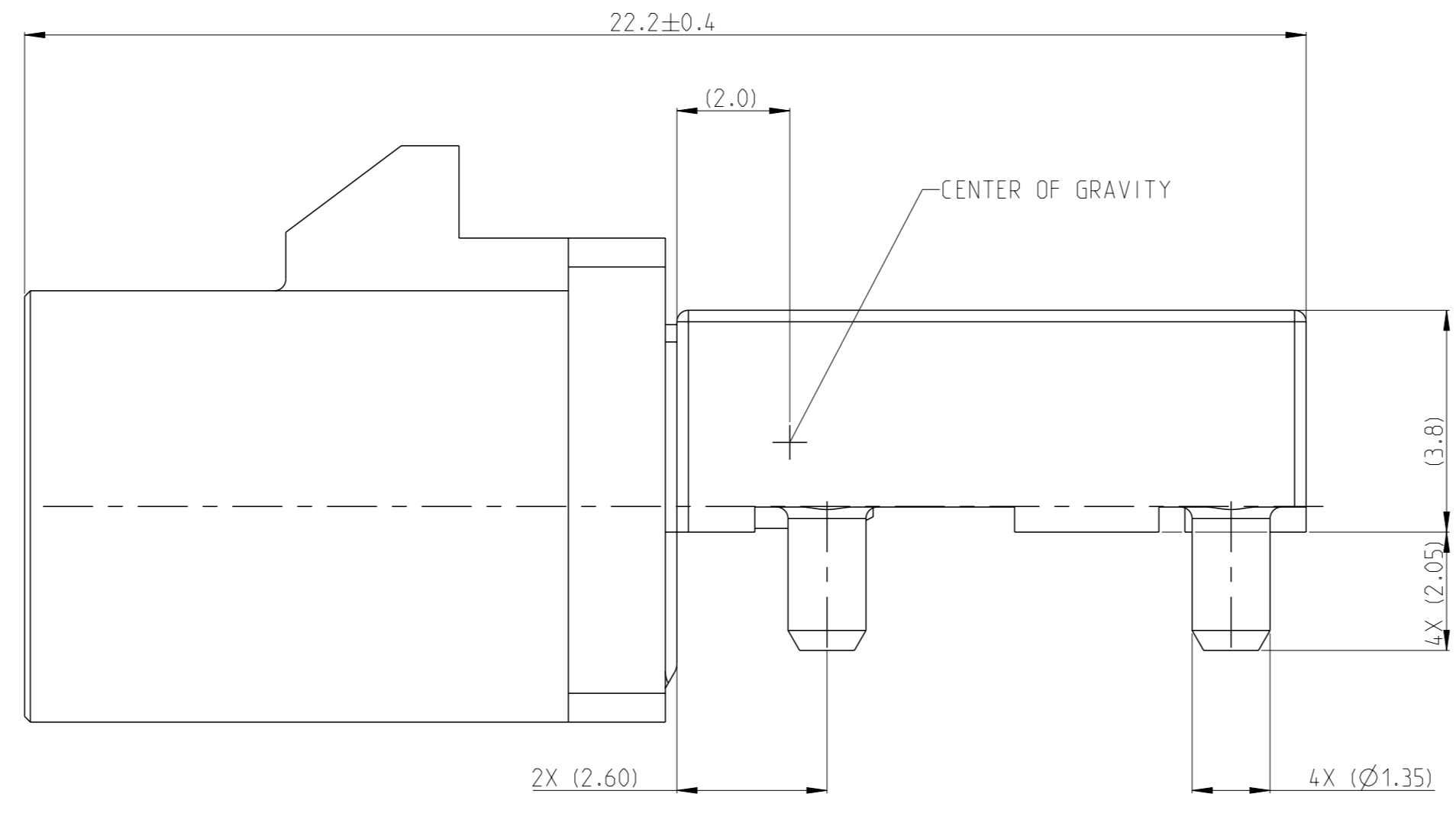
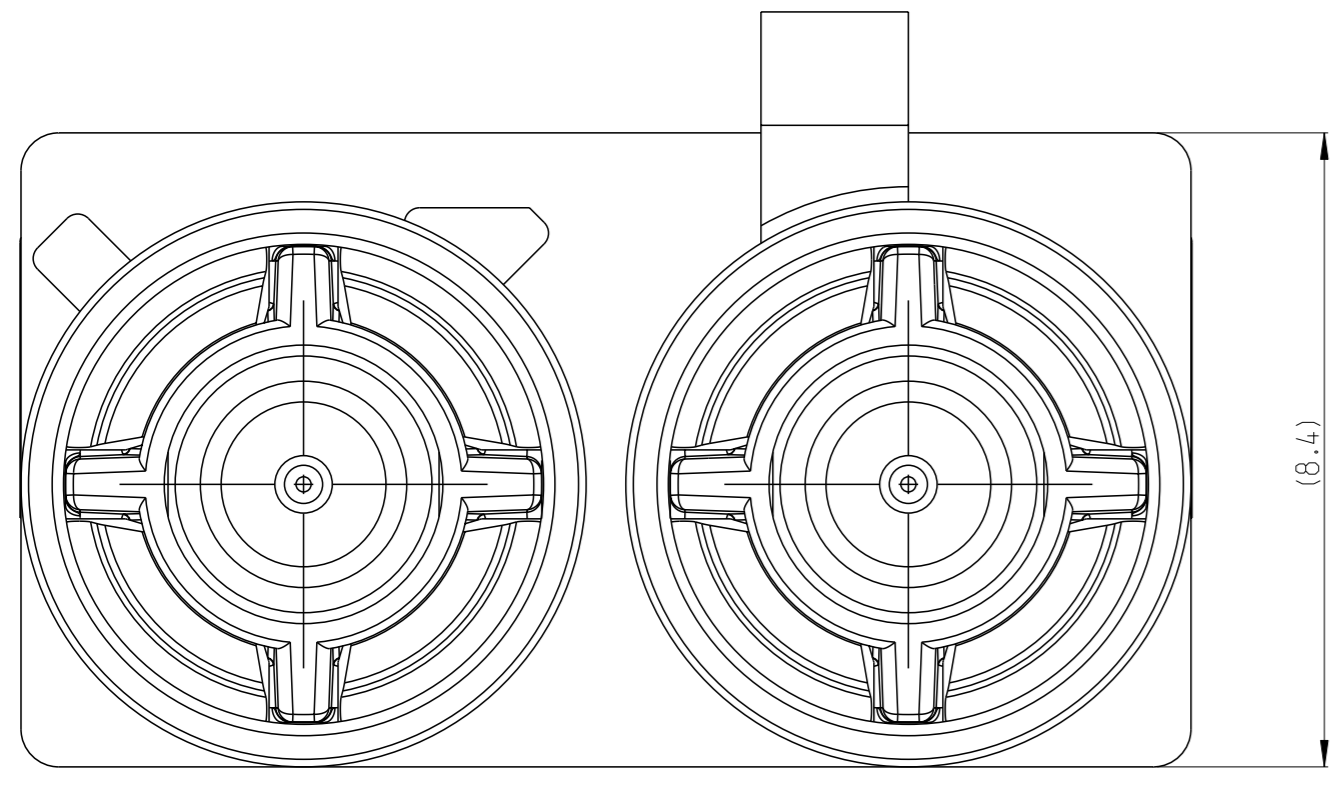


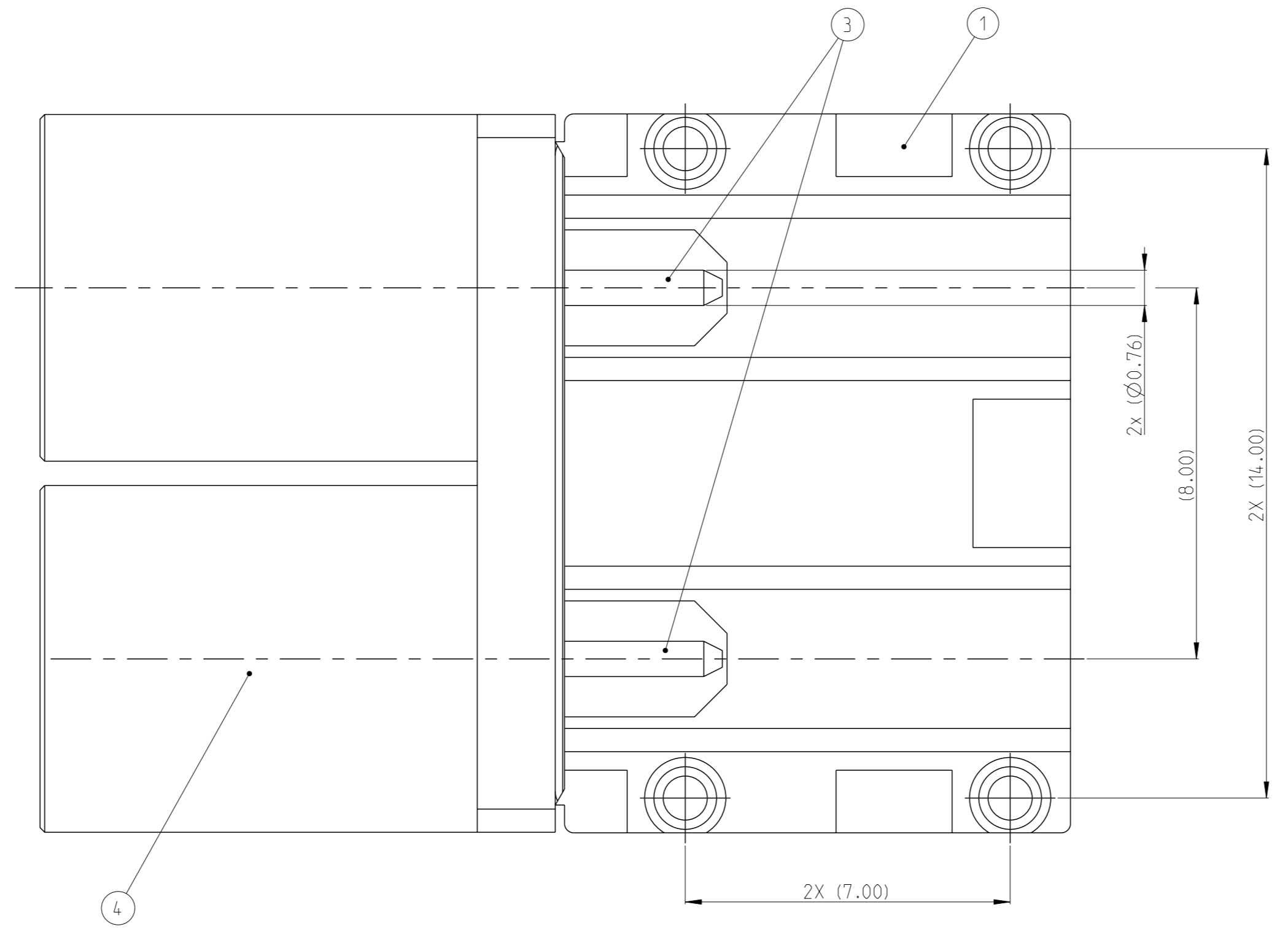
LOC		DIST		REVISIONS			
P	LYR	DESCRIPTION	DATE	OWN	APVD		
A		INITIAL RELEASE	01JUL19	D.Z	I.Y		



SCALE 5:1



- 1 NOSE CONE - NYLON. COLOR: SEE TABLE.  
DIELECTRIC - POLYESTER PCT. NATURAL.  
PIN CONTACT - BRASS.  
OUTER SHELL - ZINC.
- 2 PIN CONTACT - GOLD PLATED ON INTERFACE END. 2.5µm MIN TIN ON SOLDER END.  
BOTH OVER 1.3µm MIN NICKEL.  
OUTER SHELL - 2.0µm MIN TIN OVER 1.52µm MIN NICKEL. BOTH OVER 2.54µm MIN COPPER.
- 3 MALE INTERFACE PER ISO 20860-1 OR DIN 72594-1
- 4 MASS: 4.5g (ONLY FOR REFERENCE)
- 5 VACUUM PICKUP AREA.
- 6 PACKAGING: TAPE AND REEL.



ACTIVE	PER DETAIL Z	WATER BLUE	MATERIAL BRASS	MATERIAL PCT	MATERIAL ZINC ALLOY	Z	1-2314188-4			
PRELIMINARY	PER DETAIL N	PASTEL GREEN				N	1-2314188-3			
ACTIVE	PER DETAIL M	PASTEL ORANGE				M	1-2314188-2			
ACTIVE	PER DETAIL L	CARMINE RED				L	1-2314188-1			
PRELIMINARY	PER DETAIL K	CURRY				K	1-2314188-0			
PRELIMINARY	PER DETAIL I	BEIGE				I	2314188-9			
PRELIMINARY	PER DETAIL H	HEATHER VIOLET				H	2314188-8			
PRELIMINARY	PER DETAIL G	BLUE GREY				G	2314188-7			
PRELIMINARY	PER DETAIL F	NUT BROWN				F	2314188-6			
PRELIMINARY	PER DETAIL E	LEAF GREEN				E	2314188-5			
ACTIVE	PER DETAIL D	CLARET VIOLET				D	2314188-4			
ACTIVE	PER DETAIL C	SIGNAL BLUE				C	2314188-3			
ACTIVE	PER DETAIL B	CREAM				B	2314188-2			
ACTIVE	PER DETAIL A	JET BLACK				A	2314188-1			
STATUS	CODING DETAIL	NOSE CONE COLOR				CENTER PIN QTY=2	DIELECTRIC QTY=2	DIE CASTING QTY=1	CODING REF	PART NUMBER

THIS DRAWING IS A CONTROLLED DOCUMENT. OWN: D.ZHU 13MAY2019  
 CHK: W.WU 01JUL2019  
 APVD: L.YIN 01JUL2019

DIMENSIONS: mm  
 TOLERANCES UNLESS OTHERWISE SPECIFIED:  
 0 PLC ±0.3  
 1 PLC ±0.2  
 2 PLC ±0.2  
 3 PLC ±0.2  
 4 PLC ±0.2  
 ANGLES FINISH

MATERIAL: -1  
 FINISH: -2

THIS DRAWING IS A CONTROLLED DOCUMENT. OWN: D.ZHU 13MAY2019  
 CHK: W.WU 01JUL2019  
 APVD: L.YIN 01JUL2019

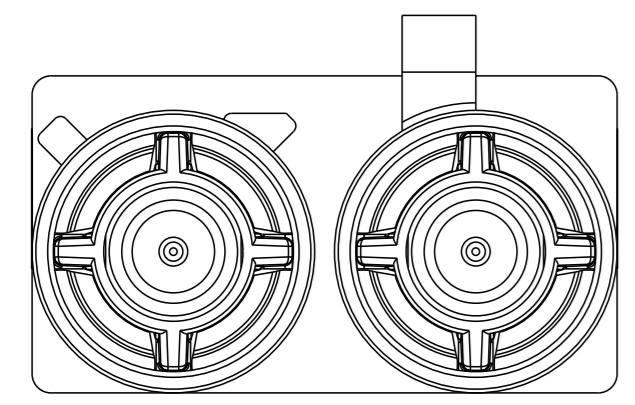
PRODUCT SPEC: 108-32058  
 APPLICATION SPEC: 114-32108

WEIGHT: 4.5g

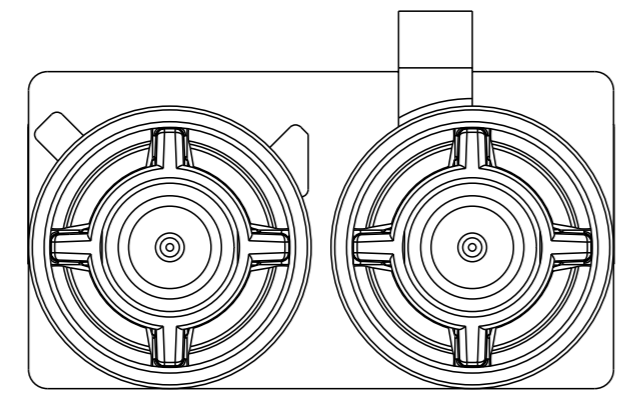
SCALE: 10:1 SHEET 1 OF 2 REV A

**STE** TE Connectivity  
 NAME: FAKRA HEADER ASSEMBLY 2 POS. EDGE MOUNT.  
 SIZE: A1 CAGE CODE: 00779 DRAWING NO: 2314188

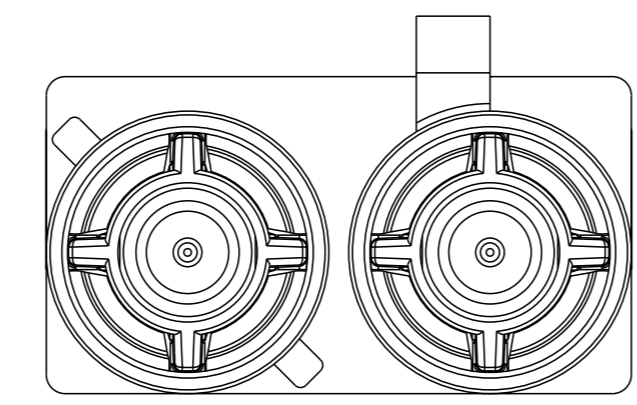
LOC		DIST		REVISIONS			
IN	00	REV	DATE	DESCRIPTION	DATE	OWN	APVD
-	-	-	-	SEE SHEET 1	-	-	-



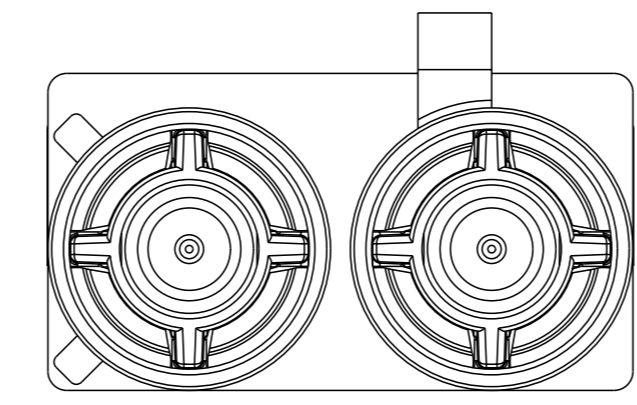
DETAIL A  
SCALE 5:1



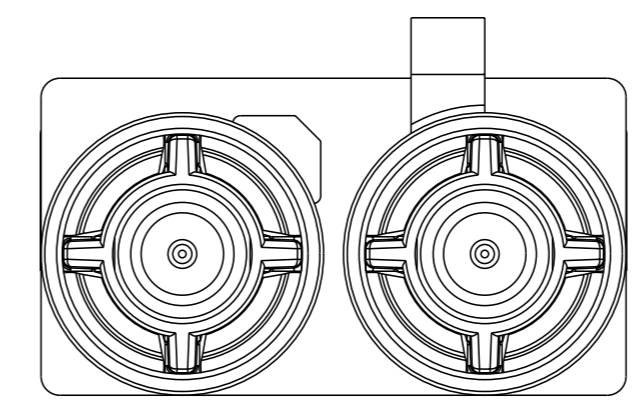
DETAIL B  
SCALE 5:1



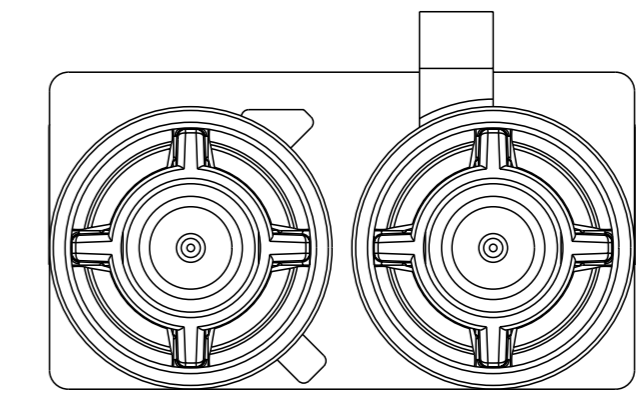
DETAIL C  
SCALE 5:1



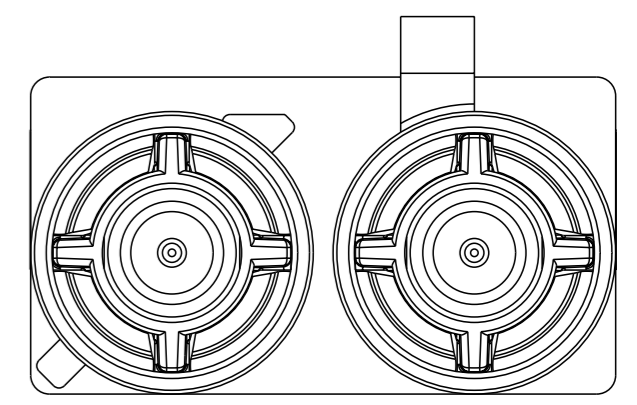
DETAIL D  
SCALE 5:1



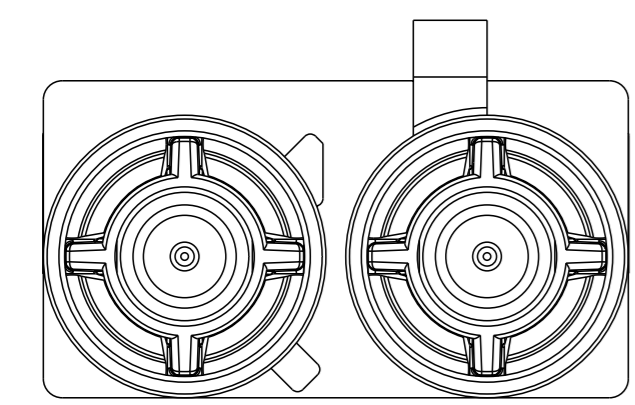
DETAIL E  
SCALE 5:1



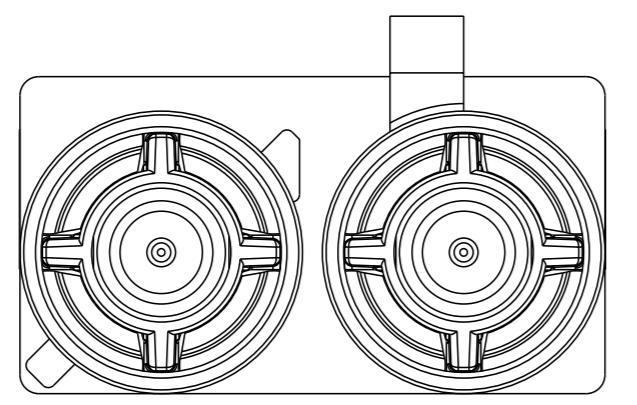
DETAIL F  
SCALE 5:1



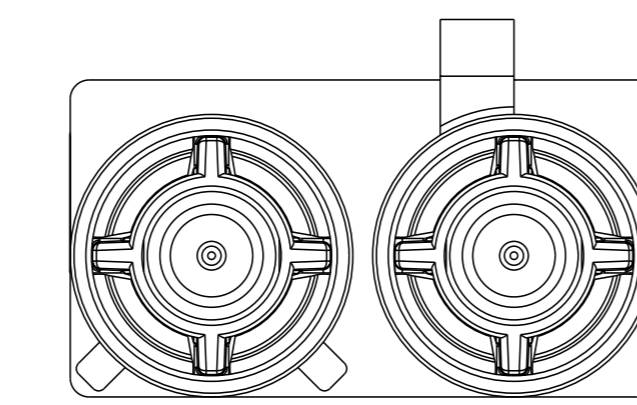
DETAIL G  
SCALE 5:1



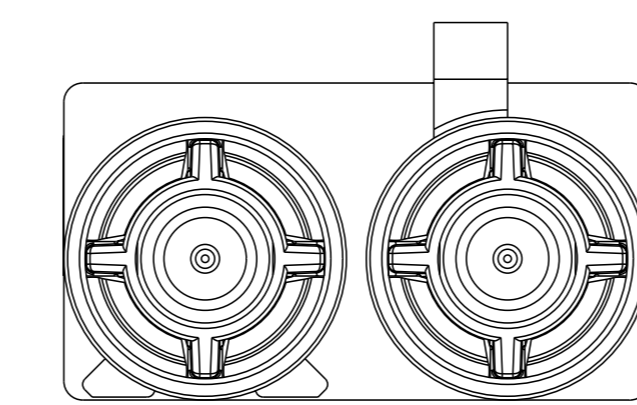
DETAIL H  
SCALE 5:1



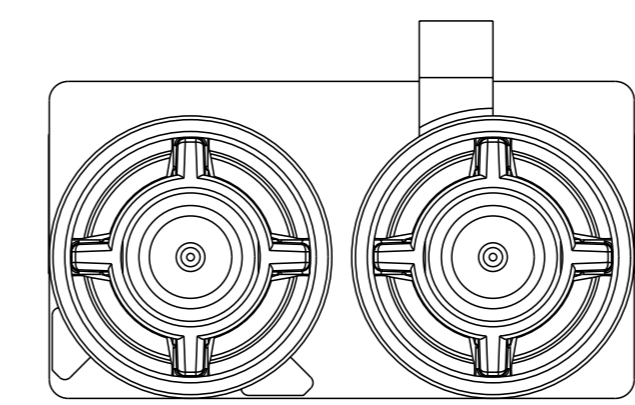
DETAIL I  
SCALE 5:1



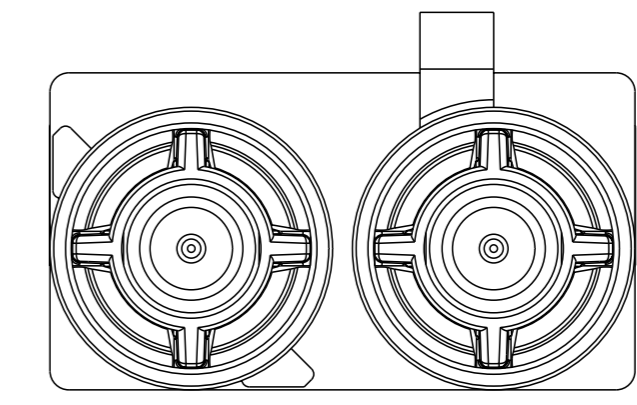
DETAIL K  
SCALE 5:1



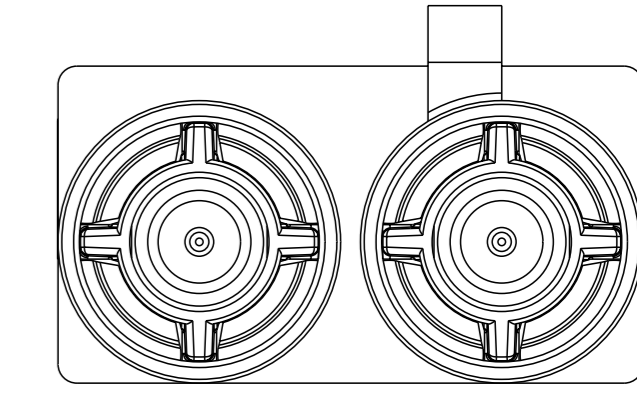
DETAIL L  
SCALE 5:1



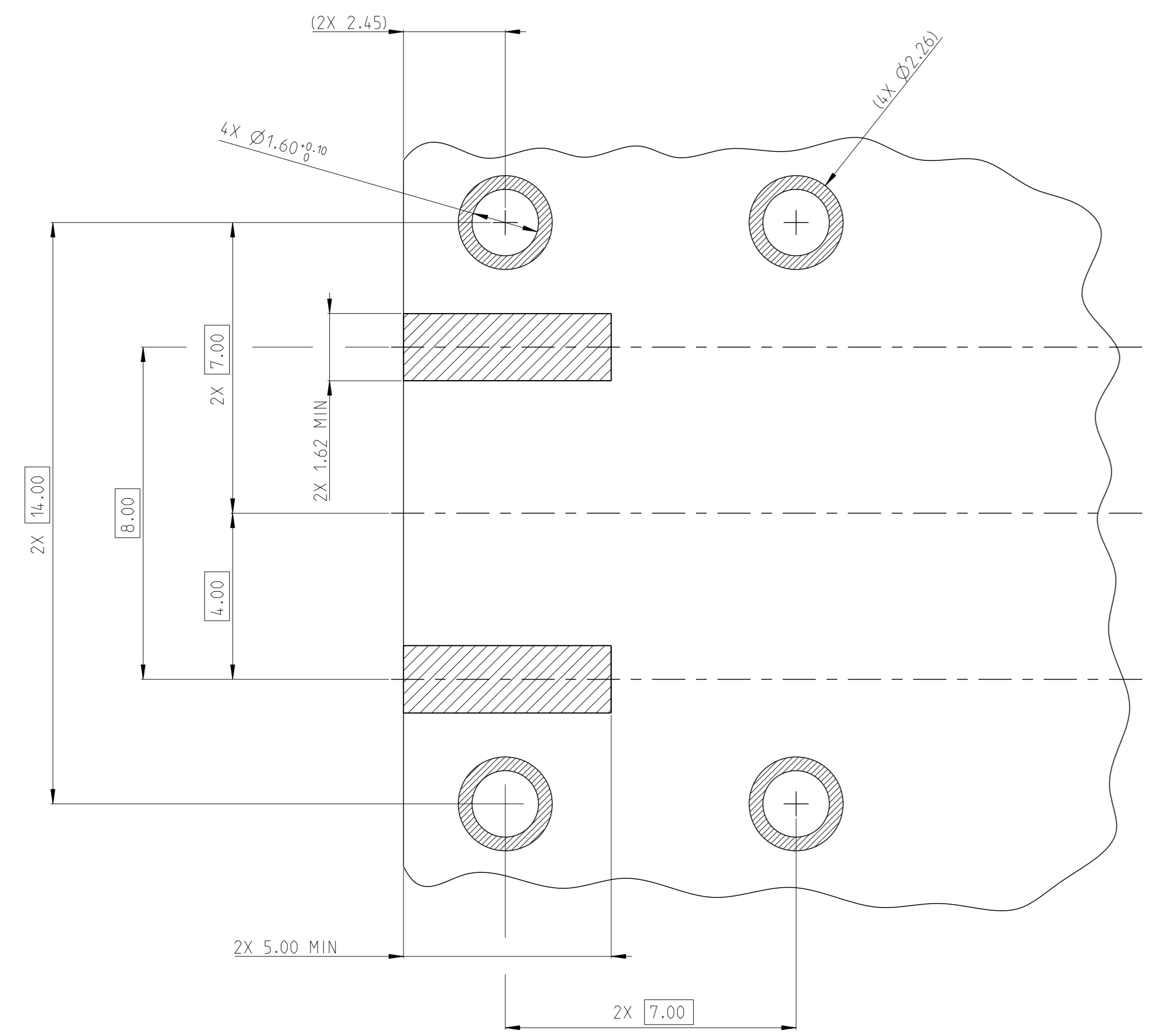
DETAIL M  
SCALE 5:1



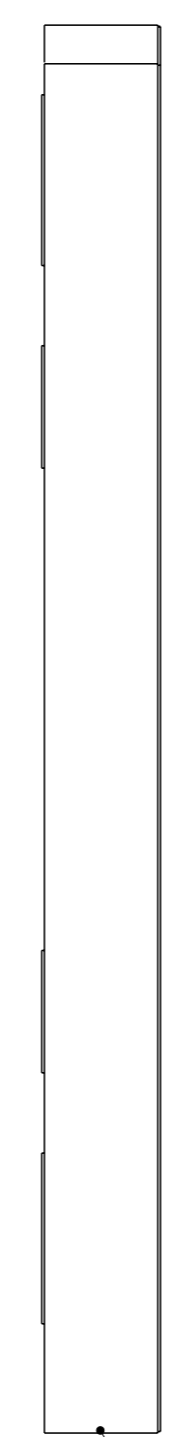
DETAIL N  
SCALE 5:1



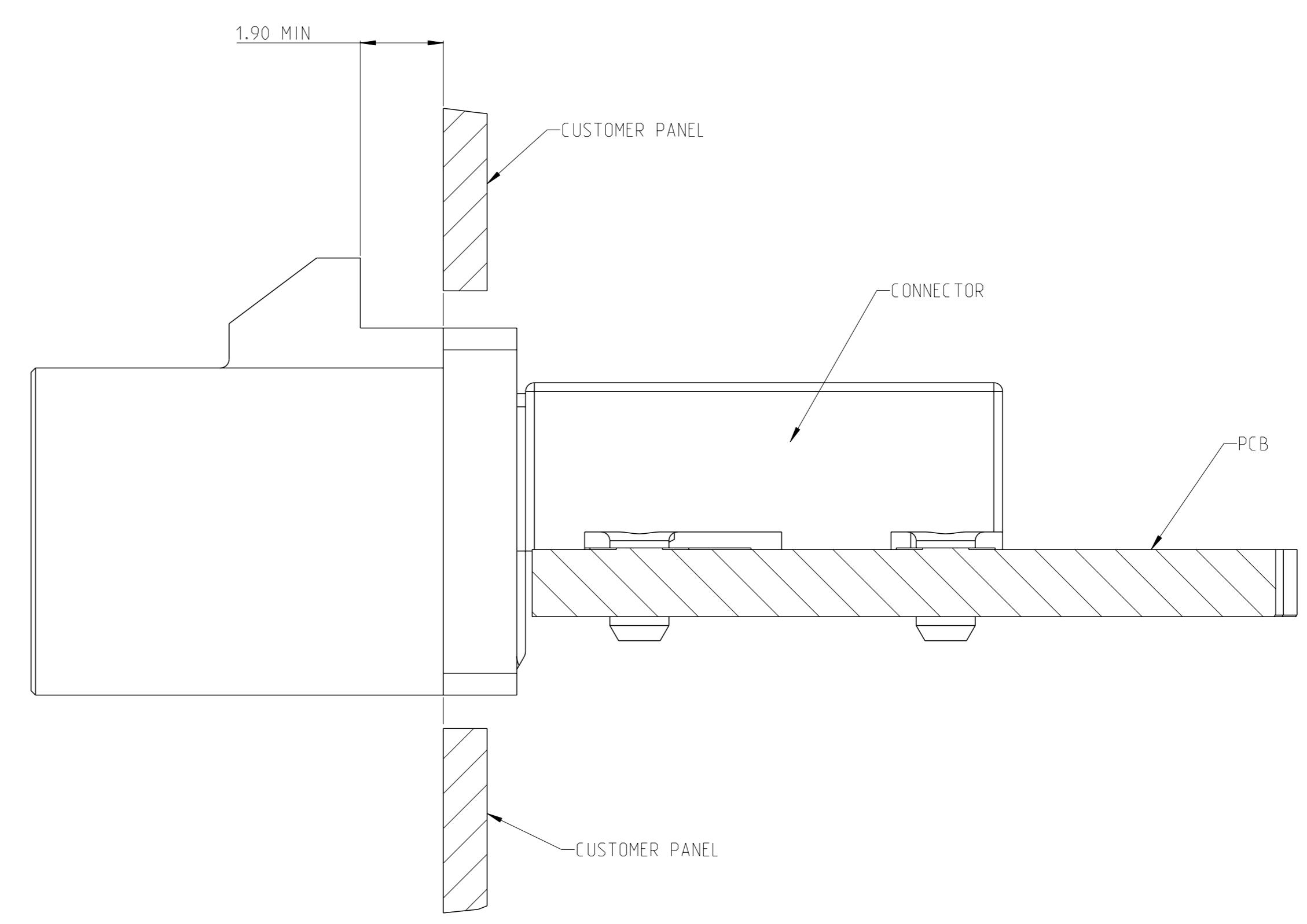
DETAIL O  
SCALE 5:1



⊕ Ø0.08 (ALL HOLES)  
RECOMMEND PCB LAYOUT



RECOMMEND PCB THICKNESS: 1.60±0.05



RECOMMEND PANEL LAYOUT

THIS DRAWING IS A CONTROLLED DOCUMENT.		OWN D.ZHU	13MAY2019	TE Connectivity
DIMENSIONS:		CHK W.WU	01JUL2019	
mm	TOLERANCES UNLESS OTHERWISE SPECIFIED:	APVD LYN	01JUL2019	NAME FAKRA HEADER ASSEMBLY 2 POS. EDGE MOUNT.
	0 PLC ± 1 PLC ±0.3 2 PLC ±0.2 3 PLC ± 4 PLC ± ANGLES ± FINISH ±	PRODUCT SPEC 108-32058	APPLICATION SPEC 114-32108	SIZE A1
MATERIAL	SEE TABLE	WEIGHT	100779	CAGE CODE 2314188
CUSTOMER DRAWING		SCALE	6:1	SHEET 2 OF 2 REV A

# Mouser Electronics

Authorized Distributor

Click to View Pricing, Inventory, Delivery & Lifecycle Information:

[TE Connectivity:](#)

[2314188-3](#) [2314188-1](#) [2314188-2](#) [2314188-4](#)