

# Customer Information Sheet

DRAWING No.: KAI-MVIXX05MI

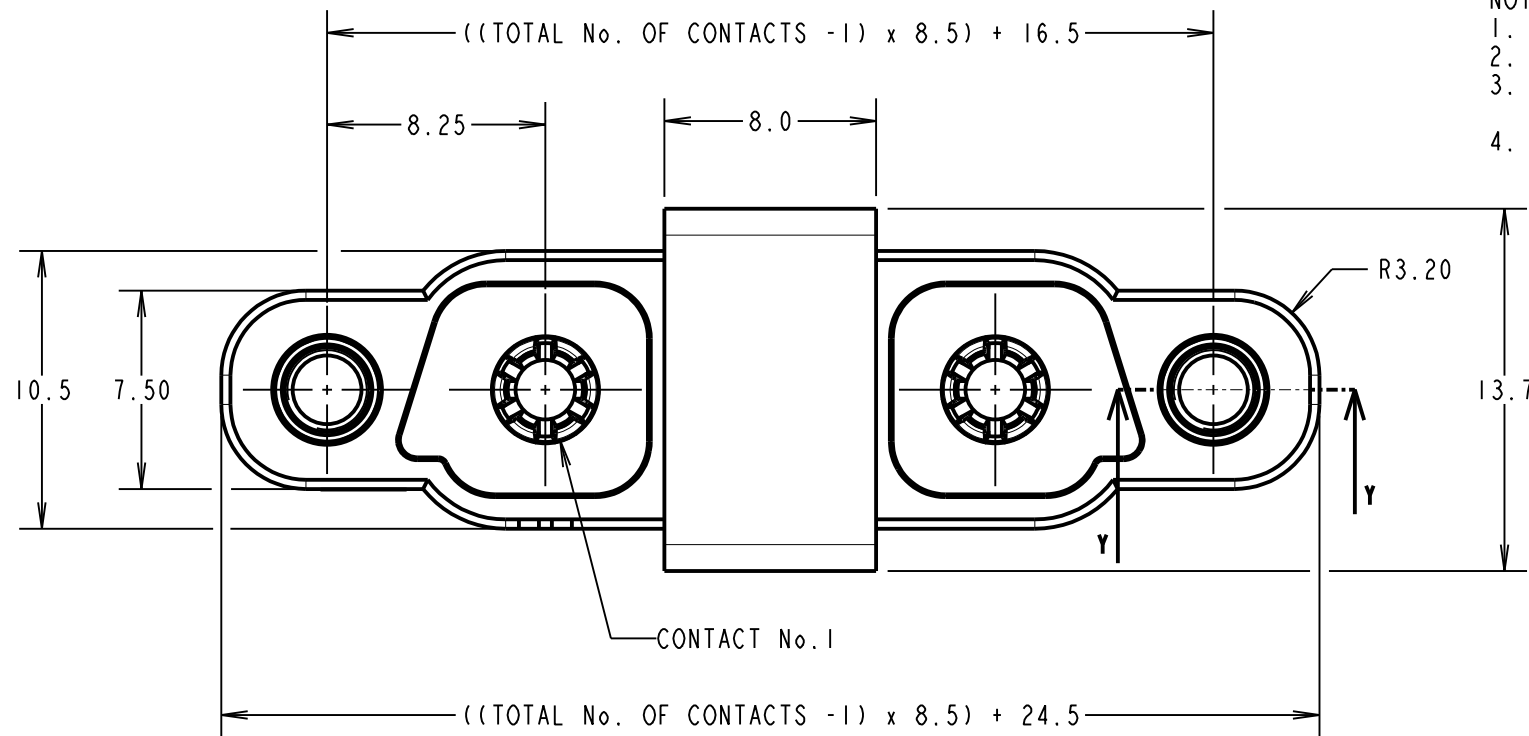
IF IN DOUBT - ASK

©

NOT TO SCALE

THIRD ANGLE PROJECTION

ALL DIMENSIONS IN mm



NOTES:

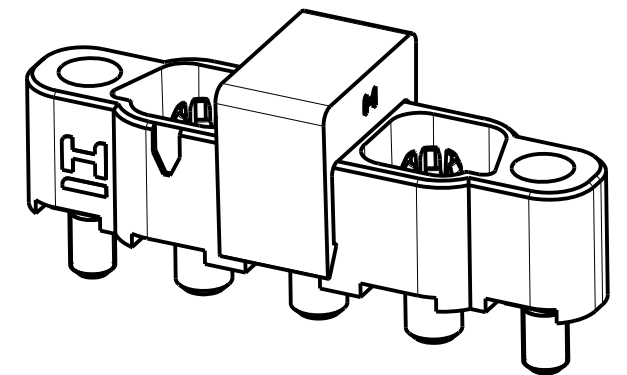
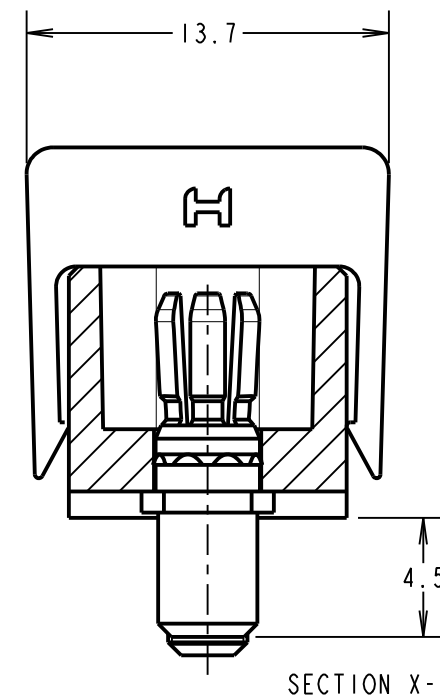
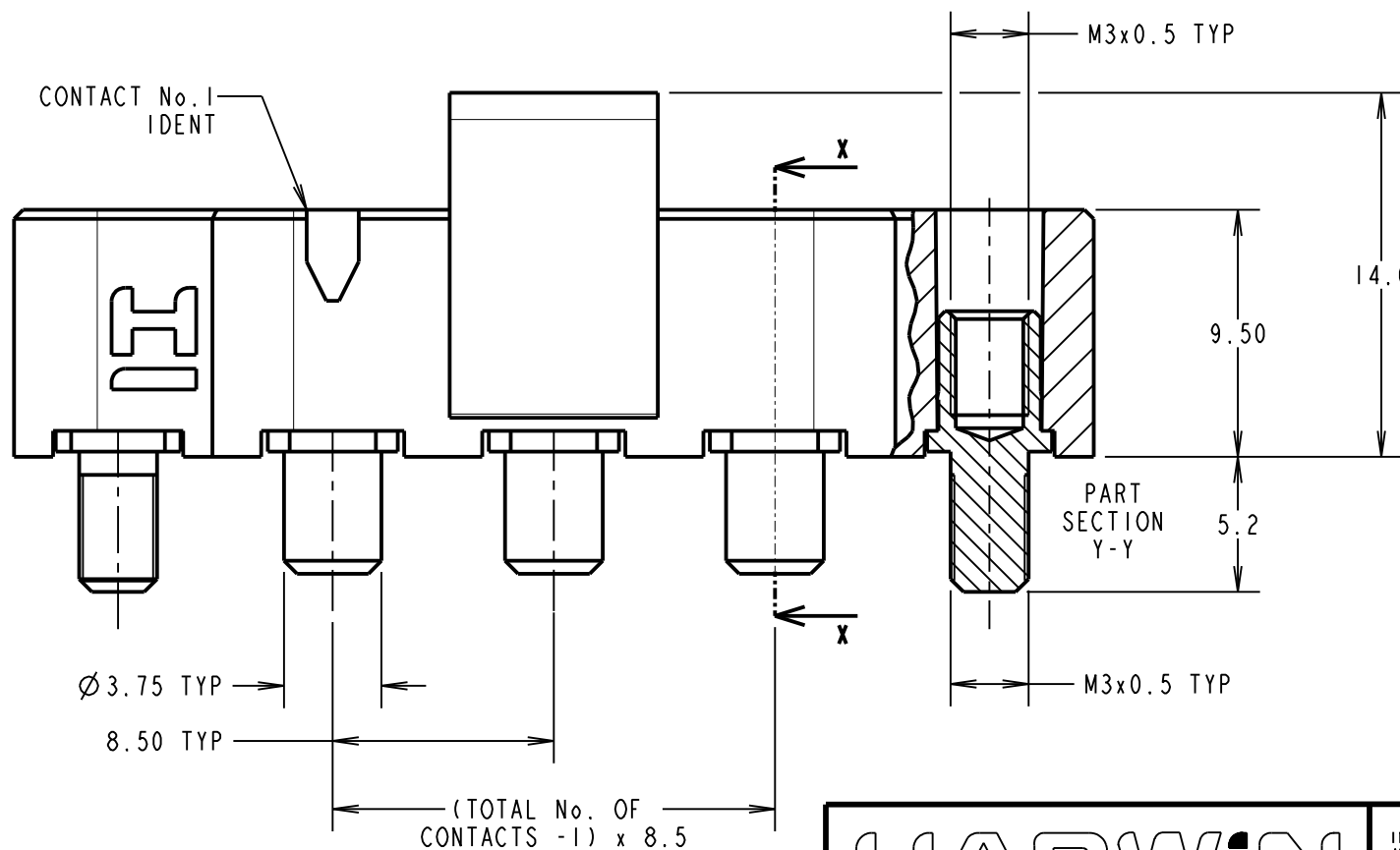
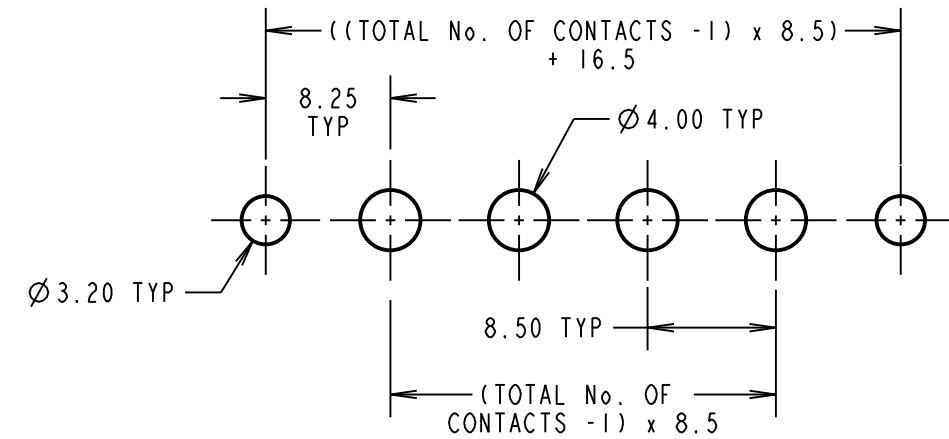
1. FOR CONNECTOR SPECIFICATIONS SEE C052XX (LATEST ISSUE).
2. DRAWING SHOWS CONNECTOR WITH 3 CONTACTS.
3. FOR BOARD MOUNT NUTS ORDER SEPERATELY. PART NUMBER: KAI-4240000 ROUND SLOTTED NUT - BAG OF 20.
4. PACKING = TUBE.

ORDER CODE:

**KAI-MVIXX05MI**

TOTAL No. OF CONTACTS  
02, 03, 04

RECOMMENDED PCB LAYOUT  
(TOLERANCE =  $\pm 0.05$ )



RA	3	22.09.21	30966
NAME	ISS.	DATE	CN/CO
APPROVED: R.ALEXANDER			
CHECKED: R.PORTLOCK			
DRAWN: M.RUDKIN			
CUSTOMER REF.:			
ASSEMBLY DRG:			

**HARWIN**

www.harwin.com  
technical@harwin.com

THIS DRAWING AND ANY INFORMATION OR DESCRIPTIVE MATTER SET OUT HEREON ARE CONFIDENTIAL AND COPYRIGHT PROPERTY OF THE HARWIN GROUP AND MUST NOT BE DISCLOSED, LOANED, COPIED OR USED FOR MANUFACTURING, TENDERING OR FOR ANY OTHER PURPOSE WITHOUT THEIR WRITTEN PERMISSION.

TOLERANCES

X. =  $\pm 1$ mm  
X.X =  $\pm 0.50$ mm  
X.XX =  $\pm 0.20$ mm  
X.XXX =  $\pm 0.01$ mm  
ANGLES =  $\pm 5^\circ$   
UNLESS STATED

MATERIAL:

SEE ABOVE

FINISH:

SEE ABOVE

S/AREA:

mm<sup>2</sup>

TITLE:

KONA SERIES - MALE  
VERTICAL PCT CONNECTOR

DRAWING NUMBER:

**KAI-MVIXX05MI**

SHT  
4 OF 4

# Mouser Electronics

Authorized Distributor

Click to View Pricing, Inventory, Delivery & Lifecycle Information:

Harwin:

[KA1-MV10205M1](#) [KA1-MV10305M1](#) [KA1-MV10405M1](#)