


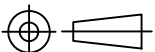
**Table 1: Dimensions** Millimeters (*Inches*)

Size	(A)	(B) Minimum	(L) Nominal	(C) Minimum	(D) Maximum	(W)
TC 4001	19.1(0.750) ± 1.6(0.063)	10.2(0.400)	3.8(0.15)	1.6(0.063)	0.8(0.030)	0.51(0.020) ± 0.1(0.005)
TC 4003	25.4(1.000) ± 1.6(0.063)	14(0.550)	3.8(0.15)	3.2(0.125)	1.3(0.050)	0.64(0.025) ± 0.1(0.005)
TC 4005	28.6(1.125) ± 1.6(0.063)	14(0.550)	3.8(0.15)	6.4(0.250)	2.5(0.100)	0.69(0.027) ± 0.1(0.005)

**Color:** TC4001 White  
TC4003 Red  
TC4005 Gray

Reference Specification TEC-108-120013

THIS DRAWING IS UNPUBLISHED.  
 ALL RIGHTS RESERVED.  
 © COPYRIGHT 2018 TE Connectivity

DIMENSIONS: mm		DWN J. Bitter	29-NOV-16	MATERIAL -		FINISH -	
TOLERANCES UNLESS OTHERWISE SPECIFIED:		CHK -	-	 TE Connectivity 305 Constitution Drive Menlo Park, CA 94025 USA			
0 PLC ± -	1 PLC ± -	APVD -	-				
2 PLC ± -	3 PLC ± -	PRODUCT SPEC -	-	NAME TC-CAPS			
4 PLC ± -	ANGLES ± -	APPLICATION SPEC -	-	SIZE A4	CAGE CODE 06090	DRAWING NO TC-CAPS	RESTRICTED TO -
		WEIGHT 0	CUSTOMER DRAWING		SCALE None	SHEET 1 of 1	REV E

# Mouser Electronics

Authorized Distributor

Click to View Pricing, Inventory, Delivery & Lifecycle Information:

[TE Connectivity:](#)

[TC-CAPS-4005-8](#)