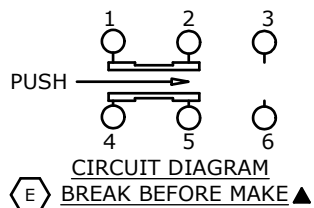


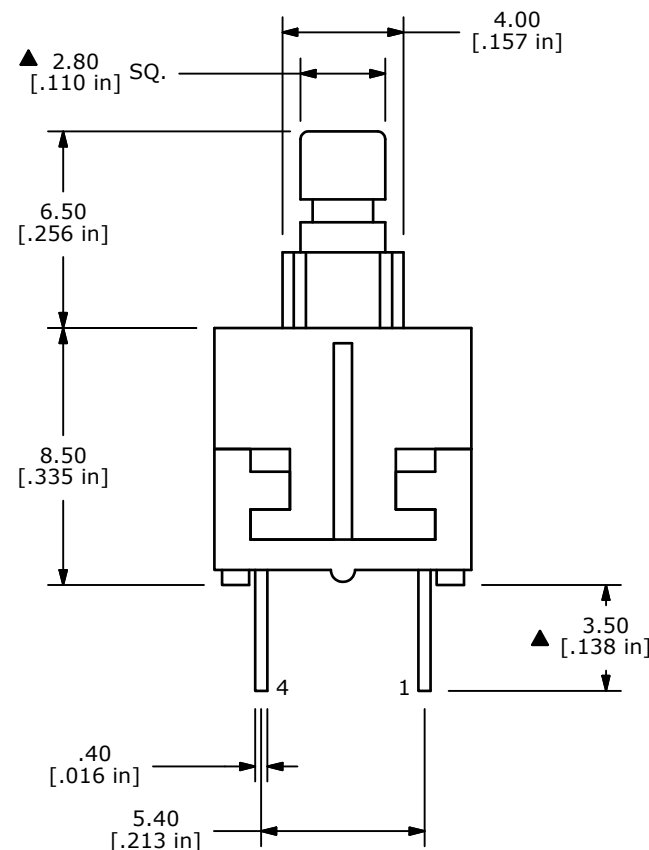
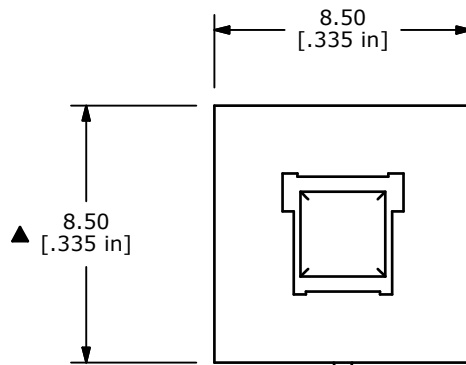
SWITCH FUNCTION	
POS. 1	POS. 2
ON	(ON)
2-1, 5-4	2-3, 5-6

(ON)=MOMENTARY

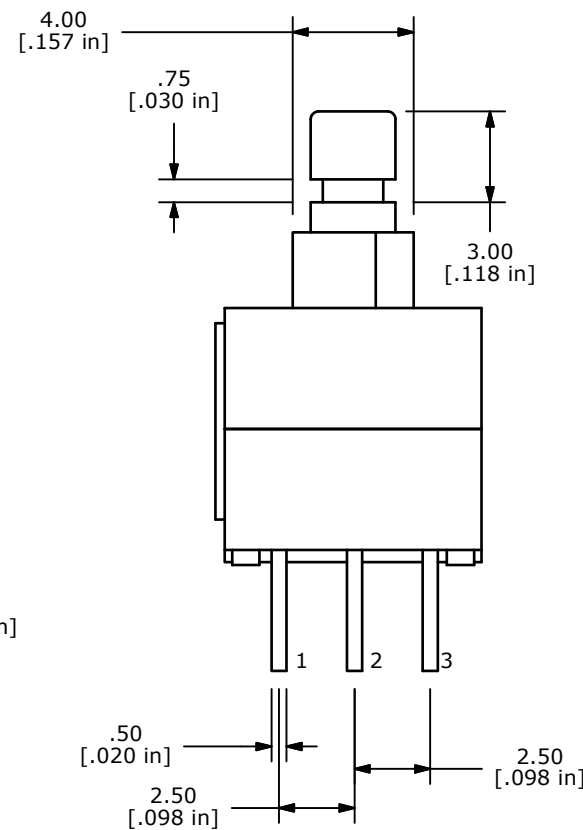
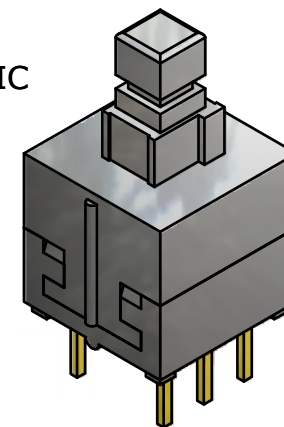


NOTES:

- ALL DIMENSIONS IN MM [INCH]
- GENERAL TOLERANCE: X.X±0.4
X.XX±0.25
- TERMINAL NUMBERS FOR REF. ONLY
- RATING: 0.1A @ 30VDC
- TRAVEL: 2.50±0.38mm
- OPERATING FORCE: 220±50gf
- ELECTRICAL LIFE: 10,000 CYCLES
- ▲DENOTES CRITICAL PARAMETER



ISOMETRIC



F	19697	CHANGE TO TERMINAL NUMBERS	2/21/11	BGL
E	18068	CHANGE TO BREAK BEFORE MAKE	4/23/08	BLR
D	18032	Redrawn and chg force from 180 grams	3/19/08	RC
REV	PCR NO	DESCRIPTION	DATE	BY

THE INFORMATION CONTAINED IN THIS DOCUMENT IS PROPRIETARY TO E-SWITCH AND IS NOT TO BE COPIED OR TRANSFERRED



TITLE TL2201OAZA				
SCALE 4:1	DATE 4/23/2008	DR BLR	DWG P010348	REV F

Mouser Electronics

Authorized Distributor

Click to View Pricing, Inventory, Delivery & Lifecycle Information:

[E-Switch:](#)

[TL2201OAZA](#)