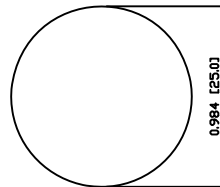
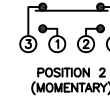
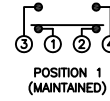


SUGGESTED PANEL CUTOUT



MAXIMUM PANEL THICKNESS: 0.394 [10.0mm]

SCHEMATIC



SPECIFICATIONS

FUNCTION:
1PNO OFF-(ON) + 1PNC ON-(OFF)

RATING:
2A 48VDC

CONTACT RESISTANCE:
Initial: 50mΩ Max. at 1A 12VDC

INSULATION RESISTANCE:
1,000MΩ Min. at 500VDC

DIELECTRIC STRENGTH:
2,000VAC Min. for 1 Minute

ELECTRICAL LIFE:
50,000 Cycles

MECHANICAL LIFE:
1,000,000 Cycles

TEMPERATURE:
Operating: -20°C to 70°C

INGRESS PROTECTION:
IP65

APPROVALS:
RoHS
COMPLIANT

MATERIALS

BUSHING:
Stainless Steel (304)

BASE:
Polyamide 6/6 (PA66)

ACTUATOR:
Stainless Steel (304)
Polycarbonate (PC)

HARDWARE:
Nickel Plated Brass (H59)

SEALING:
Silicone Rubber

INNER ASSEMBLY:
Polyamide 6/6 (PA66)
Polycarbonate (PC)
Polycyromethylene (POM)
Brass (H59)
Stainless Steel
Beryllium Copper

SPRING:
Stainless Steel

CONTACTS:
Silver/Cadmium Oxide (AgCdO)

TERMINALS:
Brass

O-RING:
Silicone Rubber

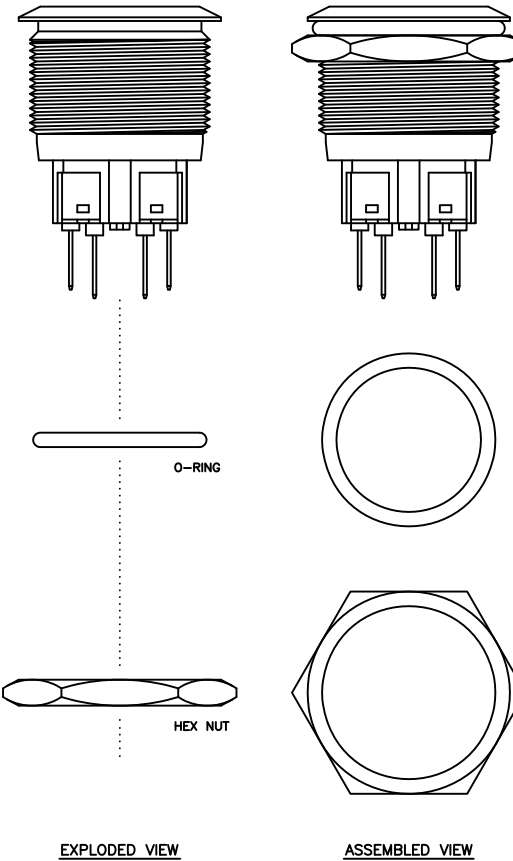
COLORS AND FINISH

BEZEL:
Stainless Steel
Machine Finish

ACTUATOR:
Stainless Steel
Machine Finish

ILLUMINATION:
None

MARKING:
None



BODY	A	09/07/06	CAB
COLORS	A	09/07/06	CAB
MATERIALS	A	09/07/06	CAB
SPECIFICATIONS	B	10/03/17	CAB
REFERENCE	REV.	DATE	BY

THE INFORMATION CONTAINED IN THIS DOCUMENT IS PROPRIETARY TO E-SWITCH AND IS NOT TO BE COPIED OR TRANSFERRED

B	CORRECTED FUNCTION	18938	10/03/17	CAB
A	INITIAL RELEASE	18752	09/12/30	CAB
REV.	DESCRIPTION	PCR	DATE	DRAWN BY

DIMENSIONS	INCHES [MILLIMETERS]
GENERAL TOLERANCES	±0.008 [±0.2] / ±1'
SCALE	DRAWING NOT TO SCALE

PV8F2Y0SS		
ITEM NUMBER	DATE	REVISION
52-PV8F2Y0SS	MARCH 17, 2010	B

Mouser Electronics

Authorized Distributor

Click to View Pricing, Inventory, Delivery & Lifecycle Information:

[E-Switch:](#)

[PV8F2Y0SS](#)