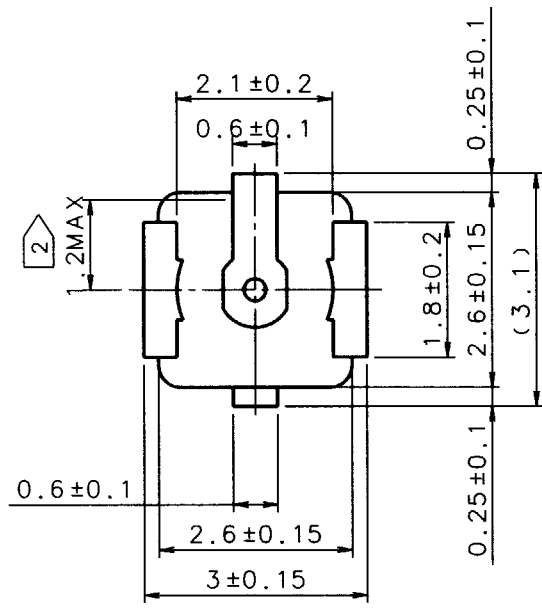
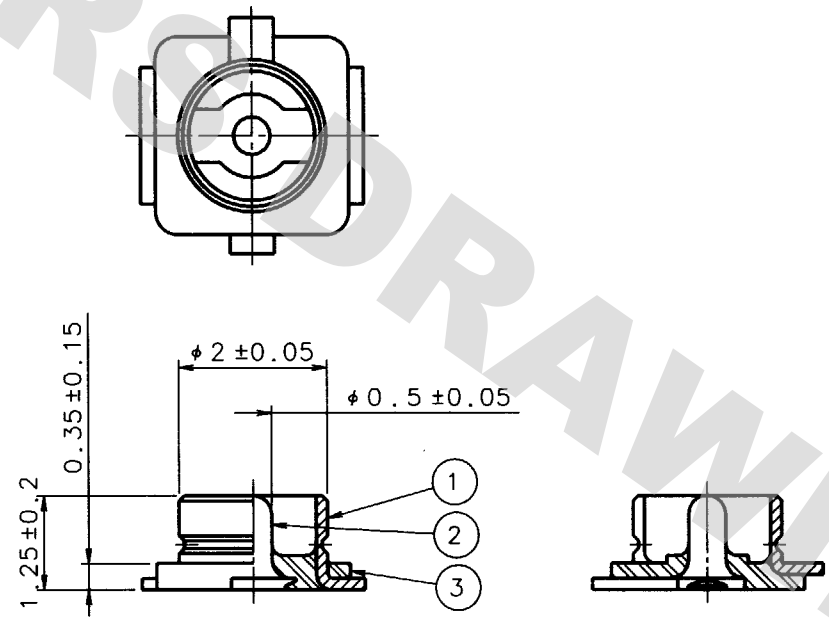
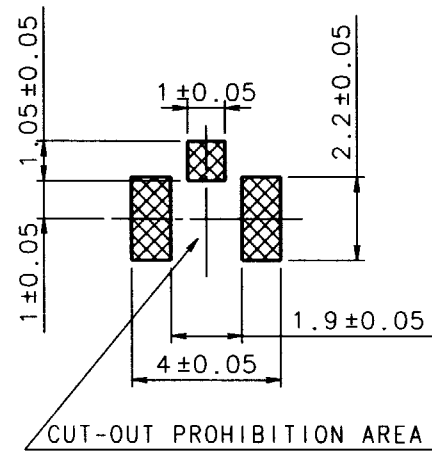


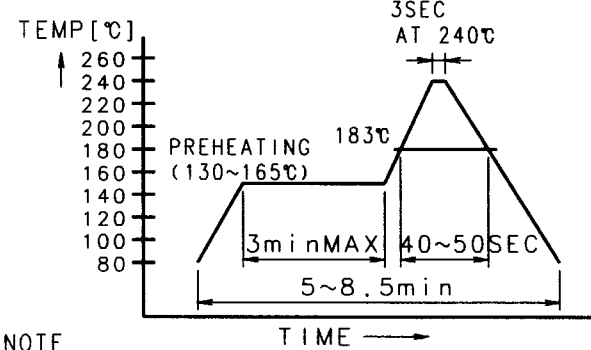
COUNT	DESCRIPTION OF REVISIONS	BY	CHKD	DATE	COUNT	DESCRIPTION OF REVISIONS	BY	CHKD	DATE
△					△				
△					△				
△					△				



RECOMMENDED PC BOARD PATTERN DRAWING(5:1)



MOUNTING TEMPERATURE PROFILE (REFERENCE)



NOTE
MOUNTING TEMPERATURE PROFILE VARIES ACCORDING TO BOARD SIZE, SOLDER TYPE APPLIED AND SOLDER THICKNESS.

NOTES:

- 1: THE QUANTITY OF U.FL-R-SMT(01) IS 100 CONNECTORS PER PACK.
- 2: THIS DIMENSION SHOWS THE ALLOWABLE RANGE THAT THE RESIN IS PUT OVER THE CENTER CONTACT.
- 3: LEAD CO-PLANARITY SHALL BE 0.1MAX.
- 4: FOR THE POSSIBILITY OF BREAKAGE OR DEFORMATION, DO NOT MATE THIS CONNECTOR WITH PARTNER, U.FL-LP-*** BEFORE MOUNTING ON PC BOARD.

2	BRASS	GOLD PLATING			
1	PHOSPHOR BRONZE	SILVER PLATING	3	LCP	(BEIGE), UL94V-0
NO.	MATERIAL	FINISH, REMARKS	NO.	MATERIAL	FINISH, REMARKS
CODE NO. (OLD) CL		DRAWN K. Maizumi 98.4.16	DESIGNED M. Yamane 98.4.16	CHECKED Kobayashi 98.4.16	APPROVED Kobayashi 98.4.16
DRAWING NO. EDC3-131821-01		PART NO. U.FL-R-SMT(01)			
SCALE 10:1		UNITS mm		CODE NO. CL331-0471-0-01	
HRS HIROSE ELECTRIC CO., LTD.				1/1	

DRAWING FOR REFERENCE: This is subject to change without notice 08/11/2012

TO
RF

Mouser Electronics

Authorized Distributor

Click to View Pricing, Inventory, Delivery & Lifecycle Information:

[Hirose Electric:](#)

[U.FL-R-SMT\(01\)](#)