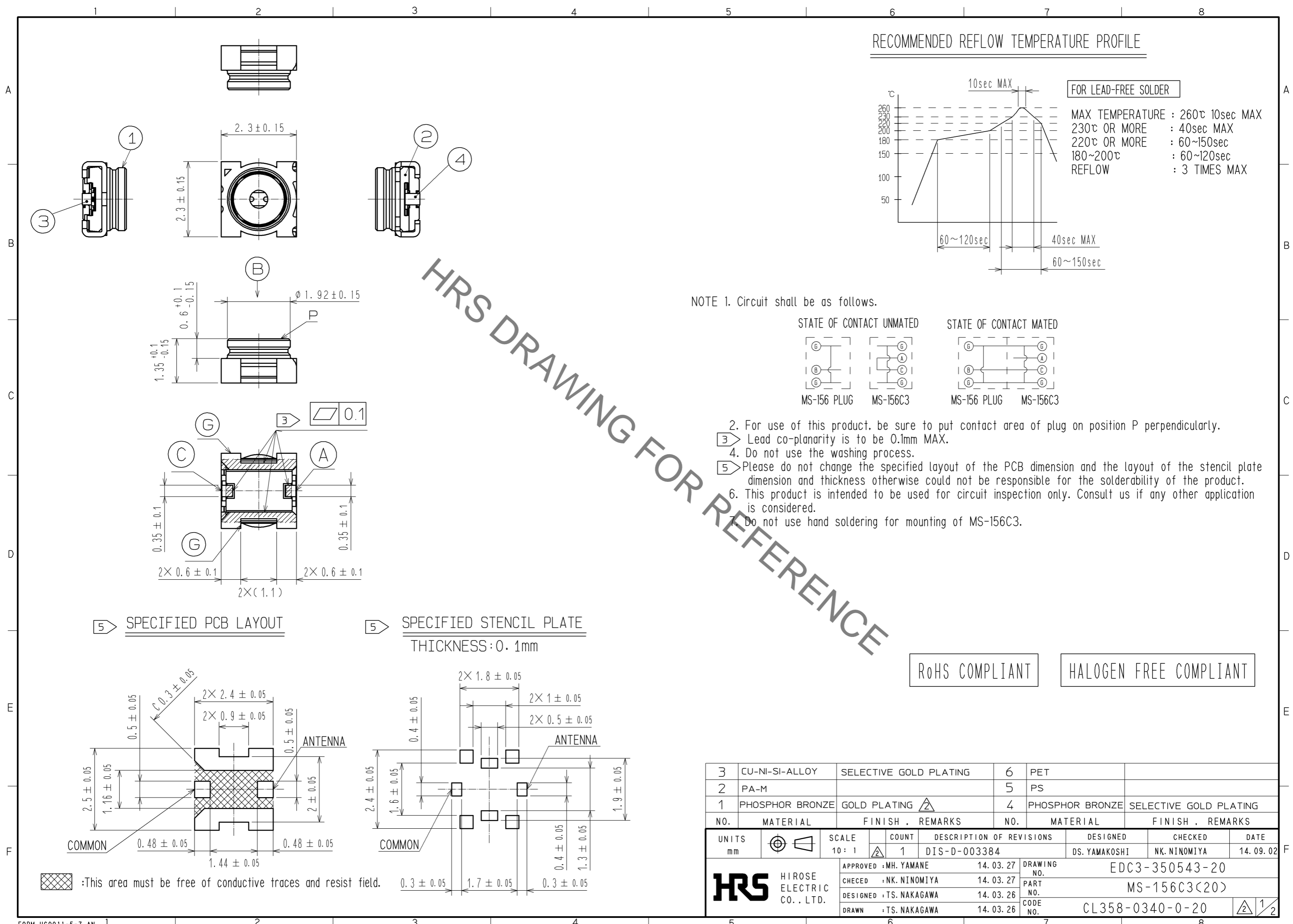
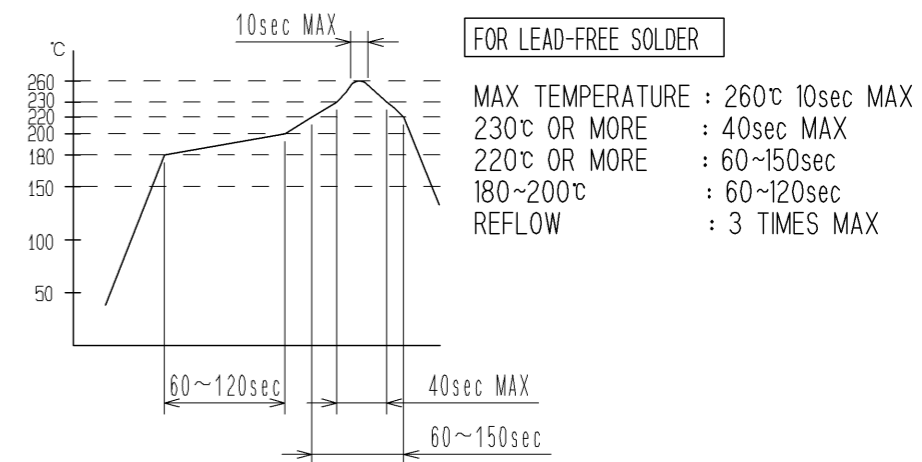


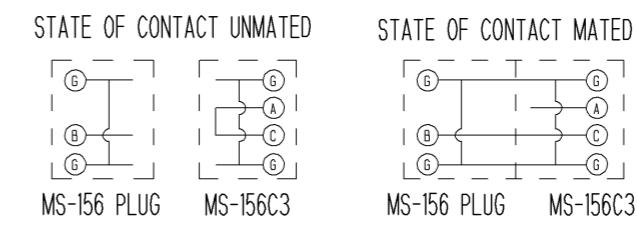
Jan.1.2022 Copyright 2022 HIROSE ELECTRIC CO., LTD. All Rights Reserved.  
 In case of consideration for using Automotive equipment / device which demand high reliability, kindly contact our sales window correspondents.



RECOMMENDED REFLOW TEMPERATURE PROFILE



NOTE 1. Circuit shall be as follows.



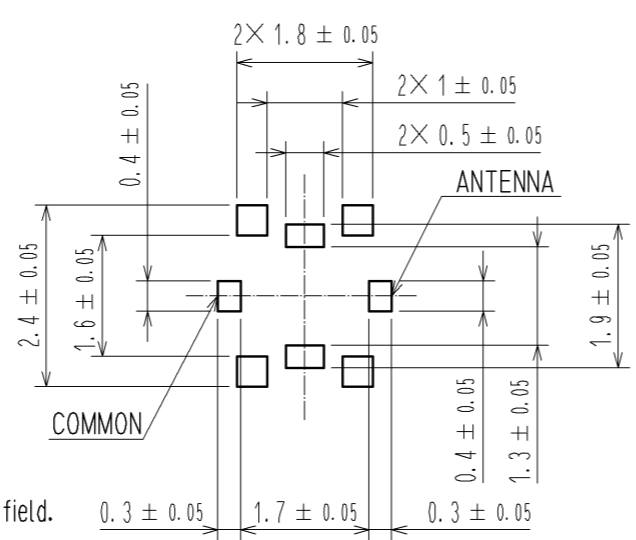
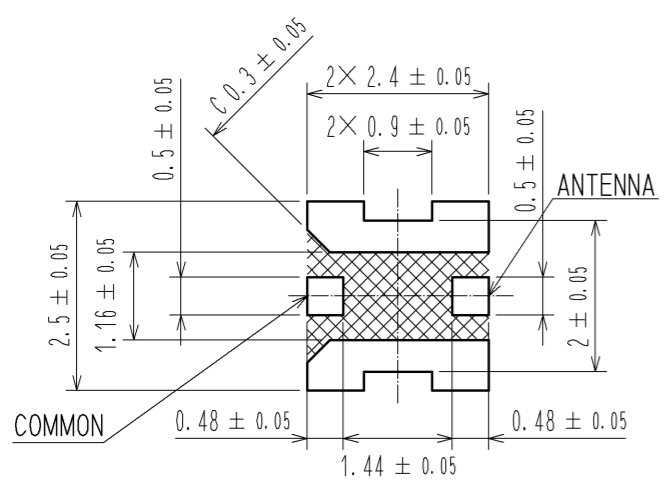
- For use of this product, be sure to put contact area of plug on position P perpendicularly.
- Lead co-planarity is to be 0.1mm MAX.
- Do not use the washing process.
- Please do not change the specified layout of the PCB dimension and the layout of the stencil plate dimension and thickness otherwise could not be responsible for the solderability of the product.
- This product is intended to be used for circuit inspection only. Consult us if any other application is considered.
- Do not use hand soldering for mounting of MS-156C3.

5 SPECIFIED PCB LAYOUT

5 SPECIFIED STENCIL PLATE THICKNESS: 0.1mm

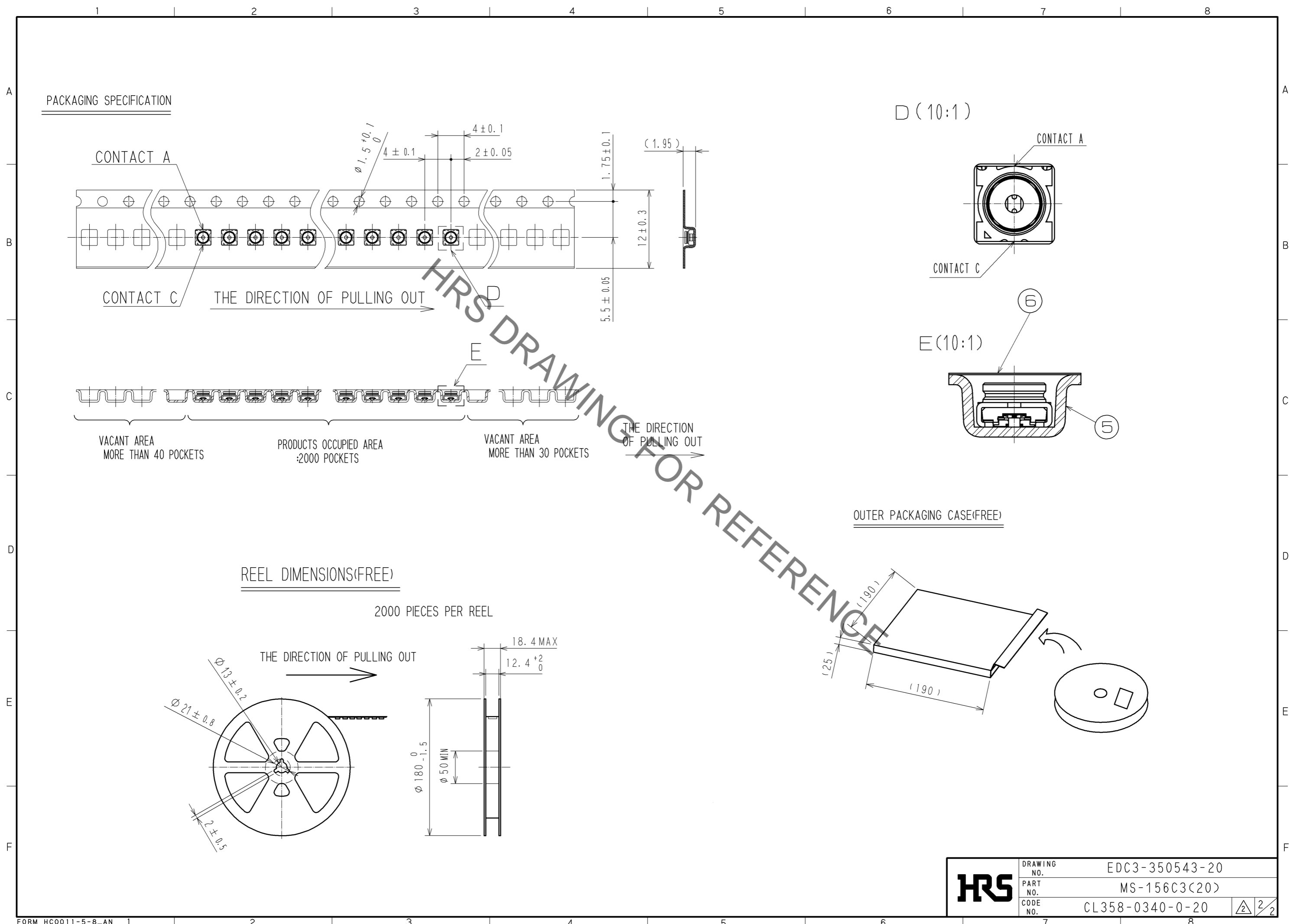
RoHS COMPLIANT

HALOGEN FREE COMPLIANT



3	CU-NI-SI-ALLOY	SELECTIVE GOLD PLATING	6	PET	
2	PA-M		5	PS	
1	PHOSPHOR BRONZE	GOLD PLATING	4	PHOSPHOR BRONZE	SELECTIVE GOLD PLATING
NO.	MATERIAL	FINISH . REMARKS	NO.	MATERIAL	FINISH . REMARKS
UNITS	mm	SCALE	10:1	COUNT	1
DESCRIPTION OF REVISIONS			DESIGNED	CHECKED	DATE
DIS-D-003384			DS. YAMAKOSHI	NK. NINOMIYA	14.09.02
APPROVED : MH. YAMANE			14.03.27		
CHECED : NK. NINOMIYA			14.03.27		
DESIGNED : TS. NAKAGAWA			14.03.26		
DRAWN : TS. NAKAGAWA			14.03.26		
DRAWING NO.				EDC3-350543-20	
PART NO.				MS-156C3(20)	
CODE NO.				CL358-0340-0-20	

Jan.1.2022 Copyright 2022 HIROSE ELECTRIC CO., LTD. All Rights Reserved.  
 In case of consideration for using Automotive equipment / device which demand high reliability, kindly contact our sales window correspondents.



HRS DRAWING FOR REFERENCE

<b>HRS</b>	DRAWING NO.	EDC3-350543-20	2/2
	PART NO.	MS-156C3(20)	
	CODE NO.	CL358-0340-0-20	

# Mouser Electronics

Authorized Distributor

Click to View Pricing, Inventory, Delivery & Lifecycle Information:

[Hirose Electric:](#)

[MS-156C3\(20\)](#)