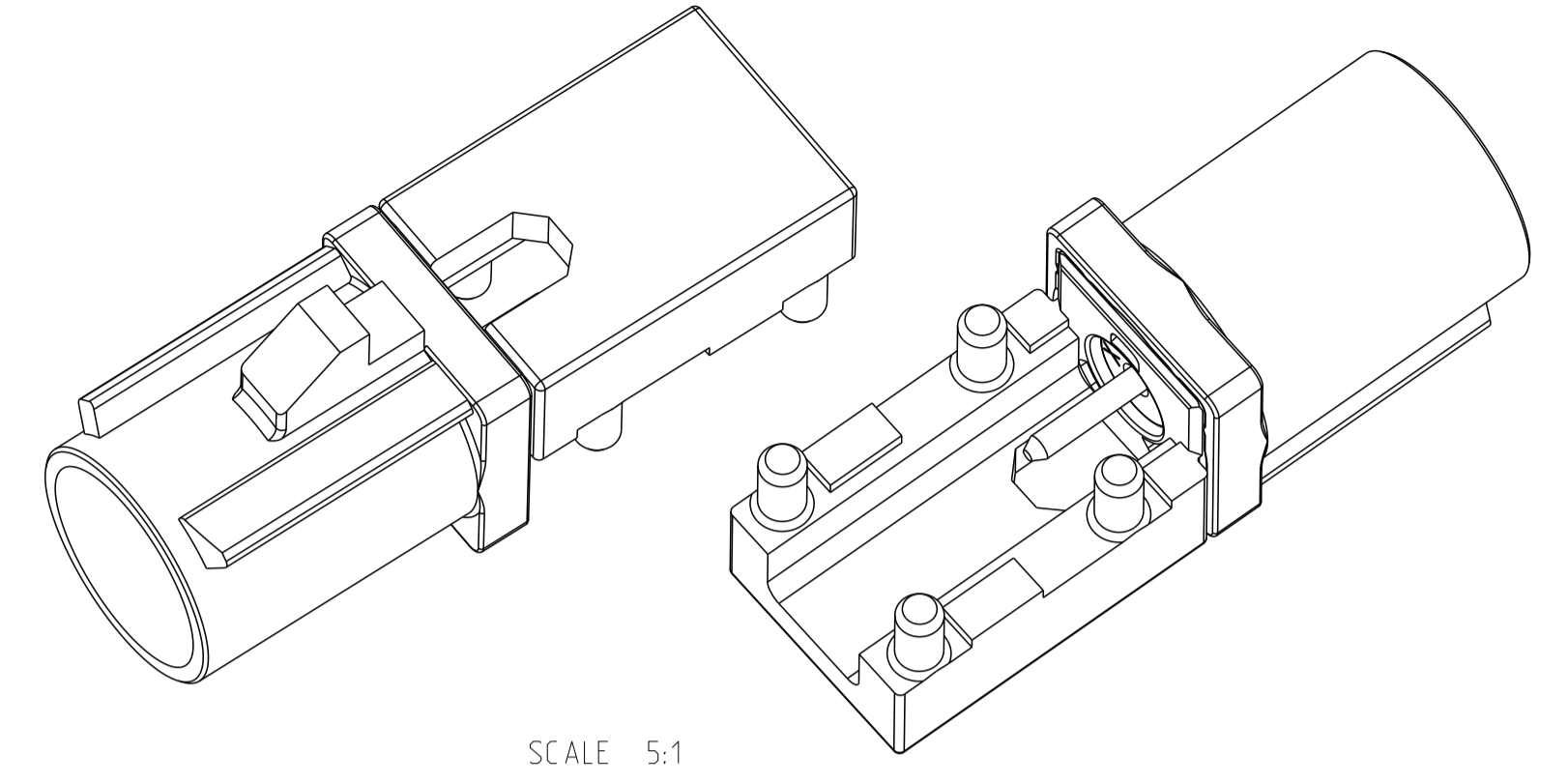
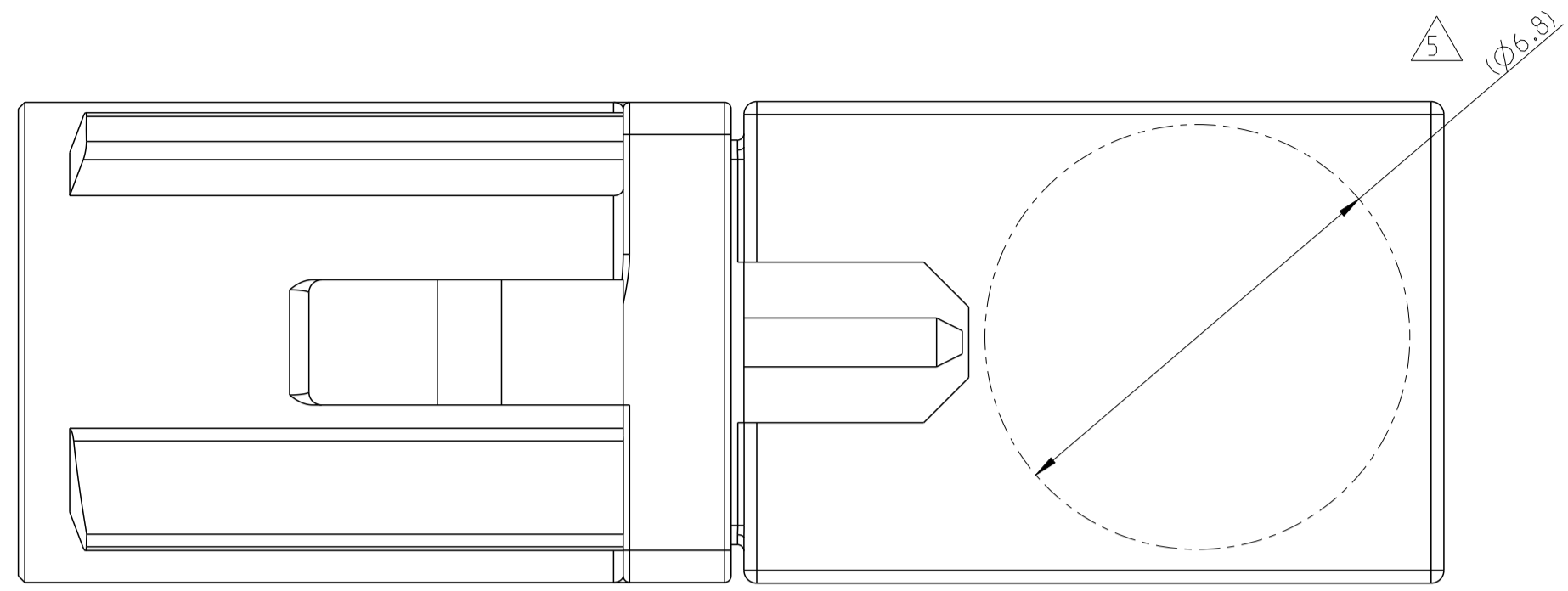
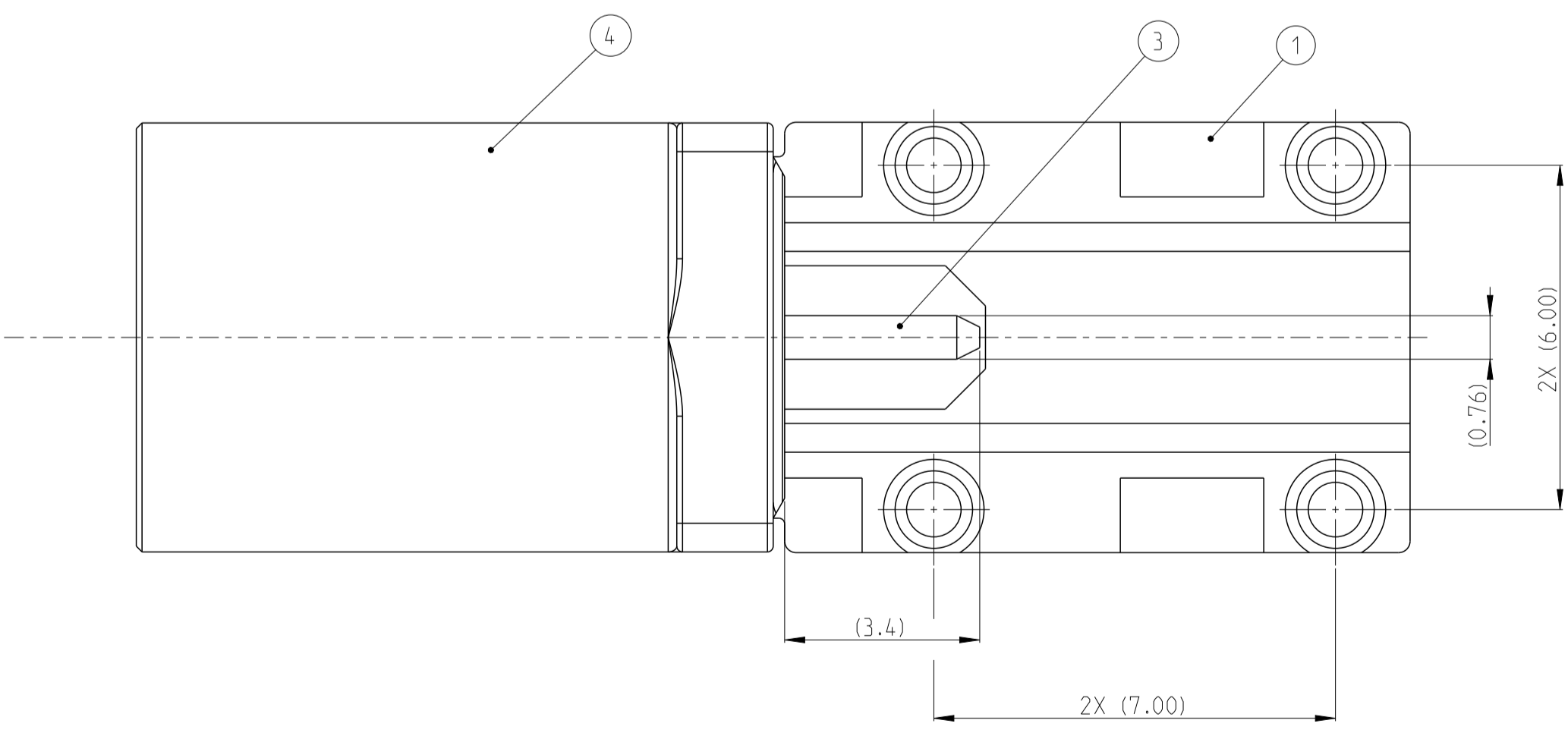
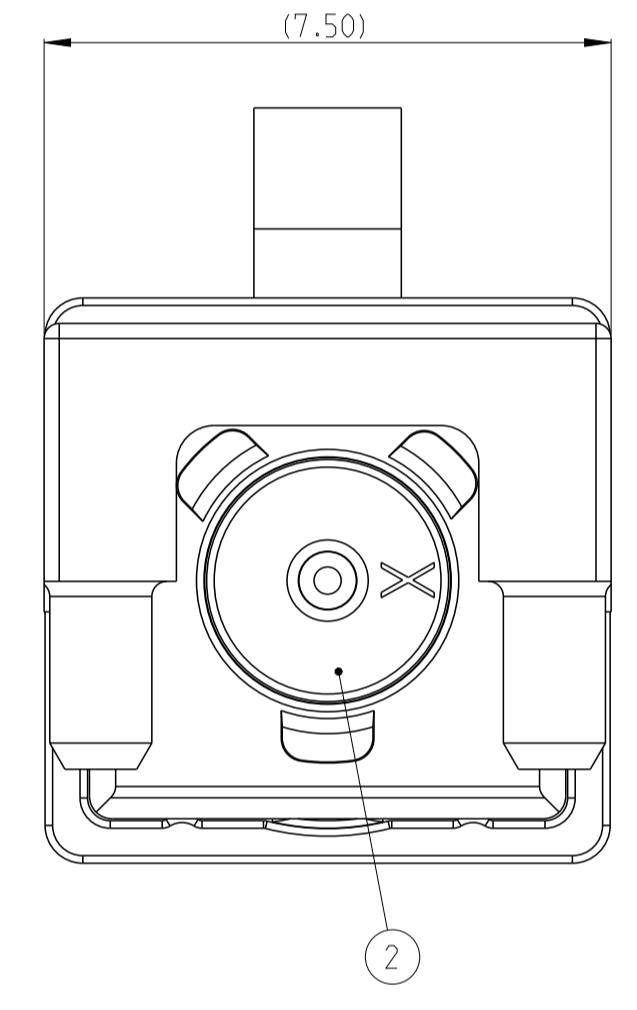
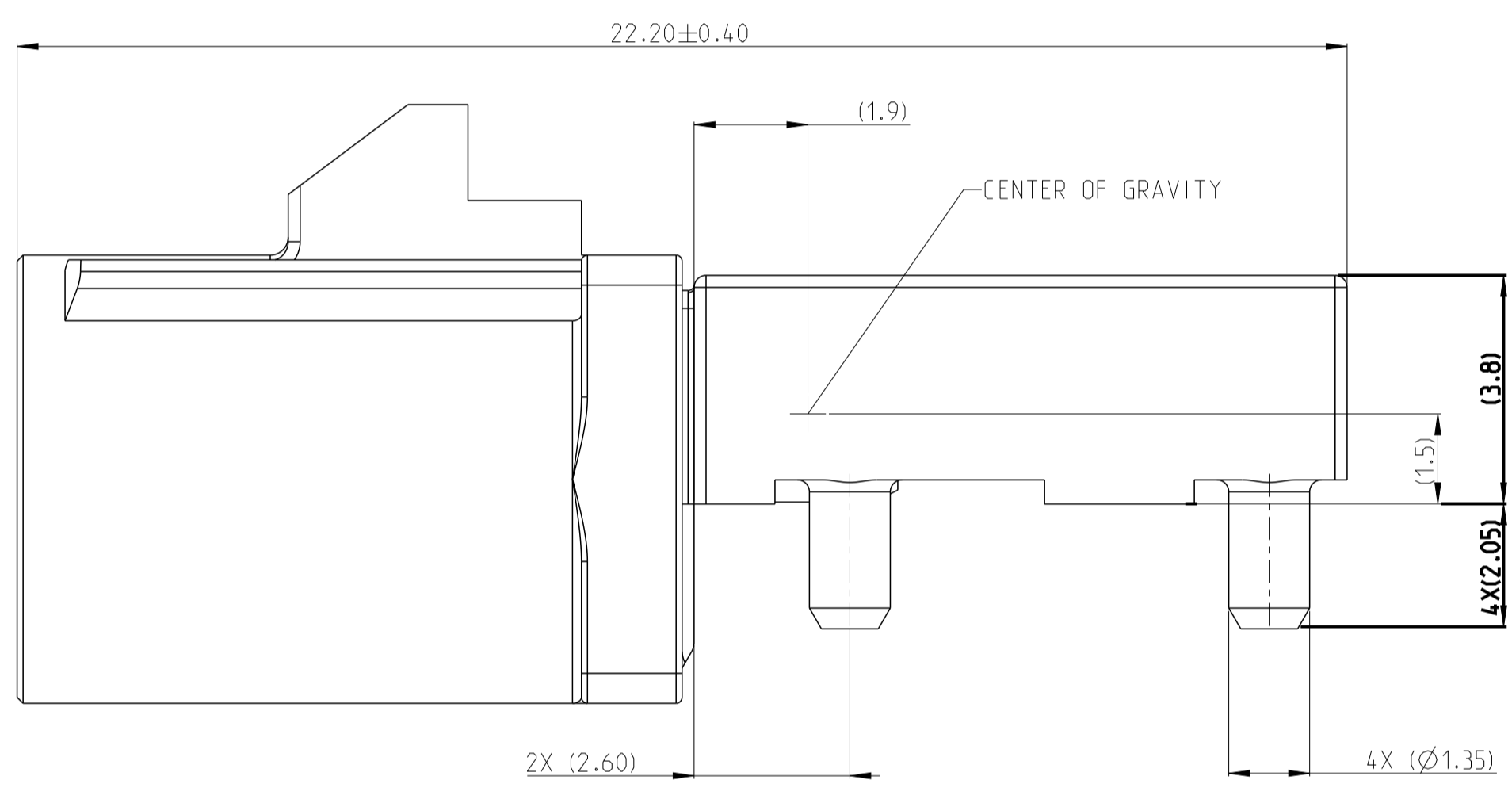
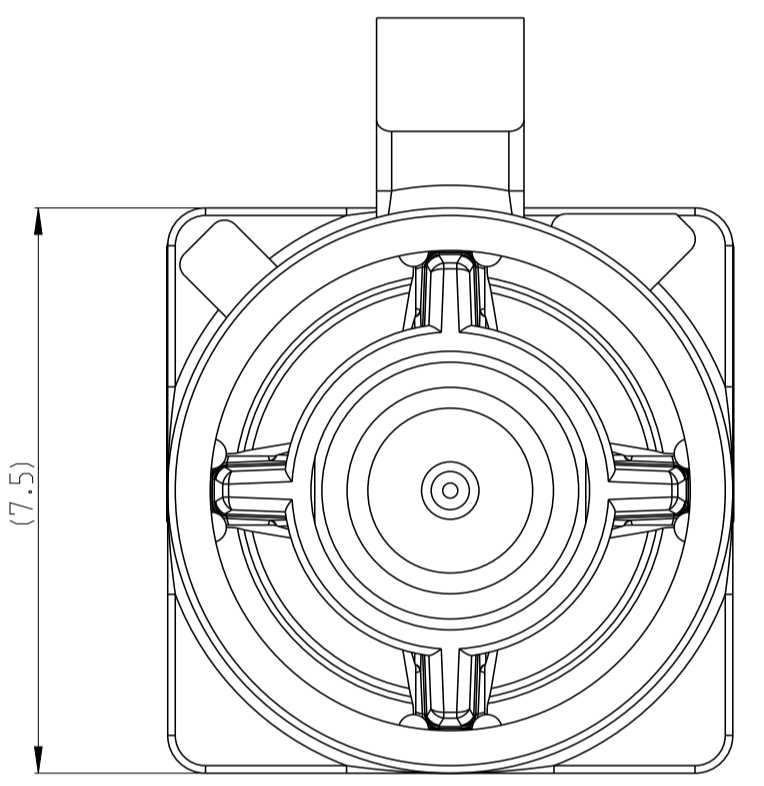


REVISIONS				
P.	LTN	DESCRIPTION	DATE	OWN APVD
A		INITIAL RELEASE	19JUN19	D.Z
A1		REV PRE ECN-22-138283	08FEB22	A.C



SCALE 5:1



- 1 NOSE CONE - NYLON. COLOR: SEE TABLE.  
DIELECTRIC - POLYESTER PCT. NATURAL.  
PIN CONTACT - BRASS.  
OUTER SHELL - ZINC.
- 2 PIN CONTACT - GOLD PLATED ON INTERFACE END. 2.5µm MIN TIN ON SOLDER END.  
BOTH OVER 1.3µm MIN NICKEL.  
OUTER SHELL - 2.0µm MIN TIN OVER 1.52µm MIN NICKEL. BOTH OVER 2.54µm MIN COPPER.
- 3 MALE INTERFACE PER ISO 20860-1 OR DIN 72594-1.
- 4 MASS: 2.2g (ONLY FOR REFERENCE).
- 5 VACUUM PICKUP AREA.
- 6 PACKAGING: TAPE AND REEL.
- 7 AS SHOWN AS 2314170-1.

PRELIMINARY	3 O'CLOCK	PER DETAIL A	JET BLACK	MATERIAL BRASS	MATERIAL PCT	MATERIAL ZINC ALLOY	A	3-2314170-1
ACTIVE	12 O'CLOCK	PER DETAIL Z	WATER BLUE				Z	2-2314170-0
PRELIMINARY		PER DETAIL N	PASTEL GREEN				N	1-2314170-3
PRELIMINARY		PER DETAIL M	PASTEL ORANGE				M	1-2314170-2
PRELIMINARY		PER DETAIL L	CARMINE RED				L	1-2314170-1
ACTIVE		PER DETAIL K	CURRY				K	1-2314170-0
PRELIMINARY		PER DETAIL I	BEIGE				I	2314170-9
PRELIMINARY		PER DETAIL H	HEATHER VIOLET				H	2314170-8
PRELIMINARY		PER DETAIL G	BLUE GREY				G	2314170-7
PRELIMINARY		PER DETAIL F	NUT BROWN				F	2314170-6
ACTIVE		PER DETAIL E	LEAF GREEN				E	2314170-5
ACTIVE		PER DETAIL D	CLARET VIOLET				D	2314170-4
ACTIVE		PER DETAIL C	SIGNAL BLUE	C	2314170-3			
ACTIVE	PER DETAIL B	CREAM	B	2314170-2				
ACTIVE	PER DETAIL A	JET BLACK	A	2314170-1				
STATUS	LATCH DIRECTION	CODING DETAIL	NOSE CONE COLOR	CENTER PIN QTY=1	DIELECTRIC QTY=1	DIE CASTING QTY=1	CODING REF	PART NUMBER

THIS DRAWING IS A CONTROLLED DOCUMENT. DWN 19JUN2019  
 CHG D.ZHU 01JUL2019  
 W.W.U 01JUL2019

DIMENSIONS: mm TOLERANCES UNLESS OTHERWISE SPECIFIED:  
 0 PLC ±0.3  
 1 PLC ±0.20  
 2 PLC ±0.20  
 3 PLC ±0.20  
 4 PLC ±0.20  
 ANGLES ±0.5

MATERIAL FINISH

116-32108 WEIGHT -

CUSTOMER DRAWING

APVD 19JUN2019  
 L.Y.LIN 01JUL2019

PRODUCT SPEC 108-32058  
 APPLICATION SPEC

NAME FAKRA HEADER ASSEMBLY  
 1 POS. EDGE MOUNT

SIZE A1 CAGE CODE - DRAWING NO. C=2314170 RESTRICTED TO

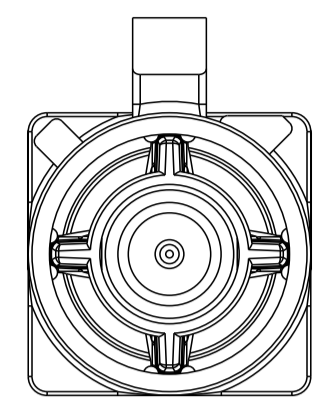
SCALE 10:1 SHEET 1 OF 2 REV A1

**STE** TE Connectivity

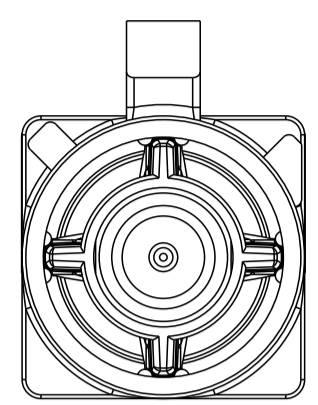
REVISIONS				
P.	LTN	DESCRIPTION	DATE	APVD
-		SEE SHEET 1	-	-

### CODINGS

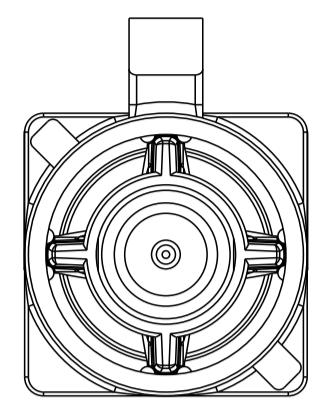
LATCH DIRECTION : 12 O'CLOCK



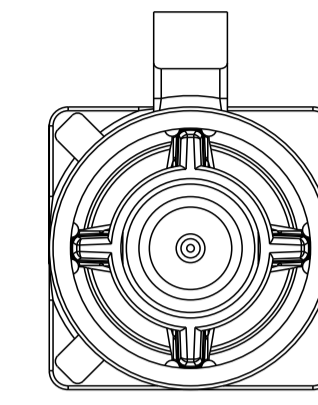
SCALE 5:1  
DETAIL A



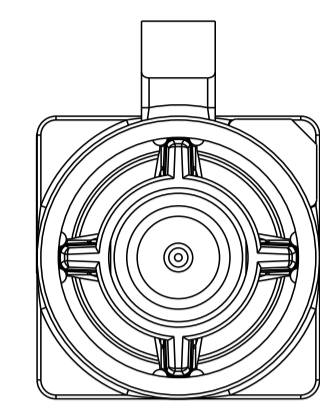
SCALE 5:1  
DETAIL B



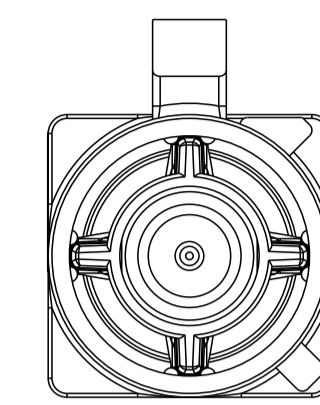
SCALE 5:1  
DETAIL C



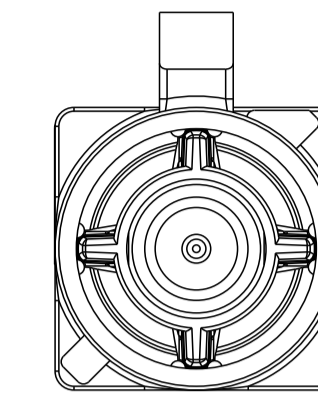
SCALE 5:1  
DETAIL D



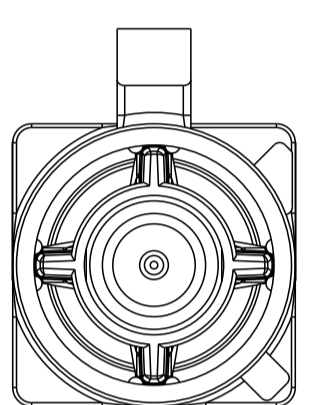
SCALE 5:1  
DETAIL E



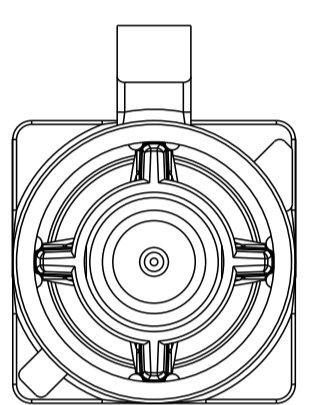
SCALE 5:1  
DETAIL F



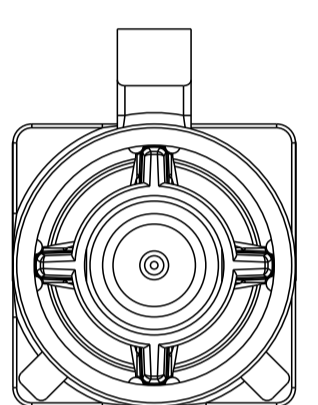
SCALE 5:1  
DETAIL G



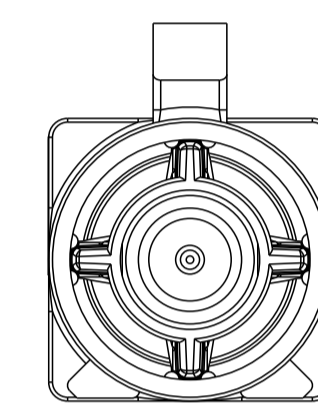
SCALE 5:1  
DETAIL H



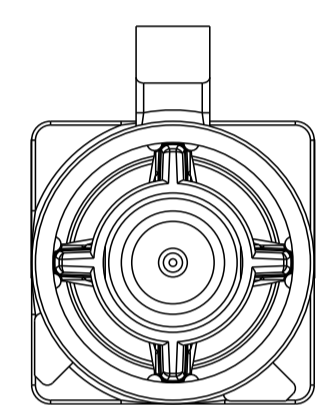
SCALE 5:1  
DETAIL I



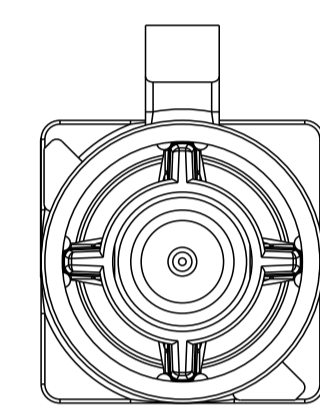
SCALE 5:1  
DETAIL K



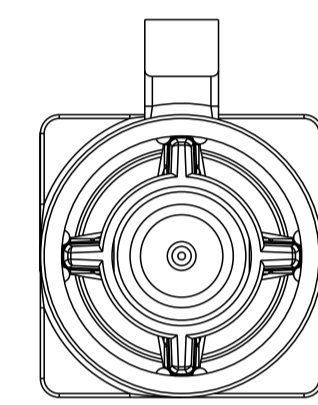
SCALE 5:1  
DETAIL L



SCALE 5:1  
DETAIL M

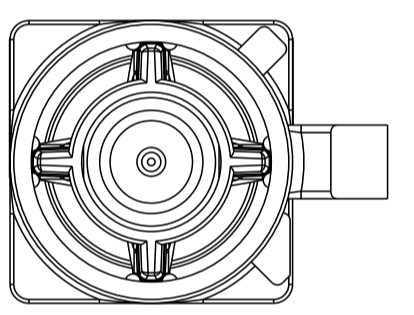


SCALE 5:1  
DETAIL N

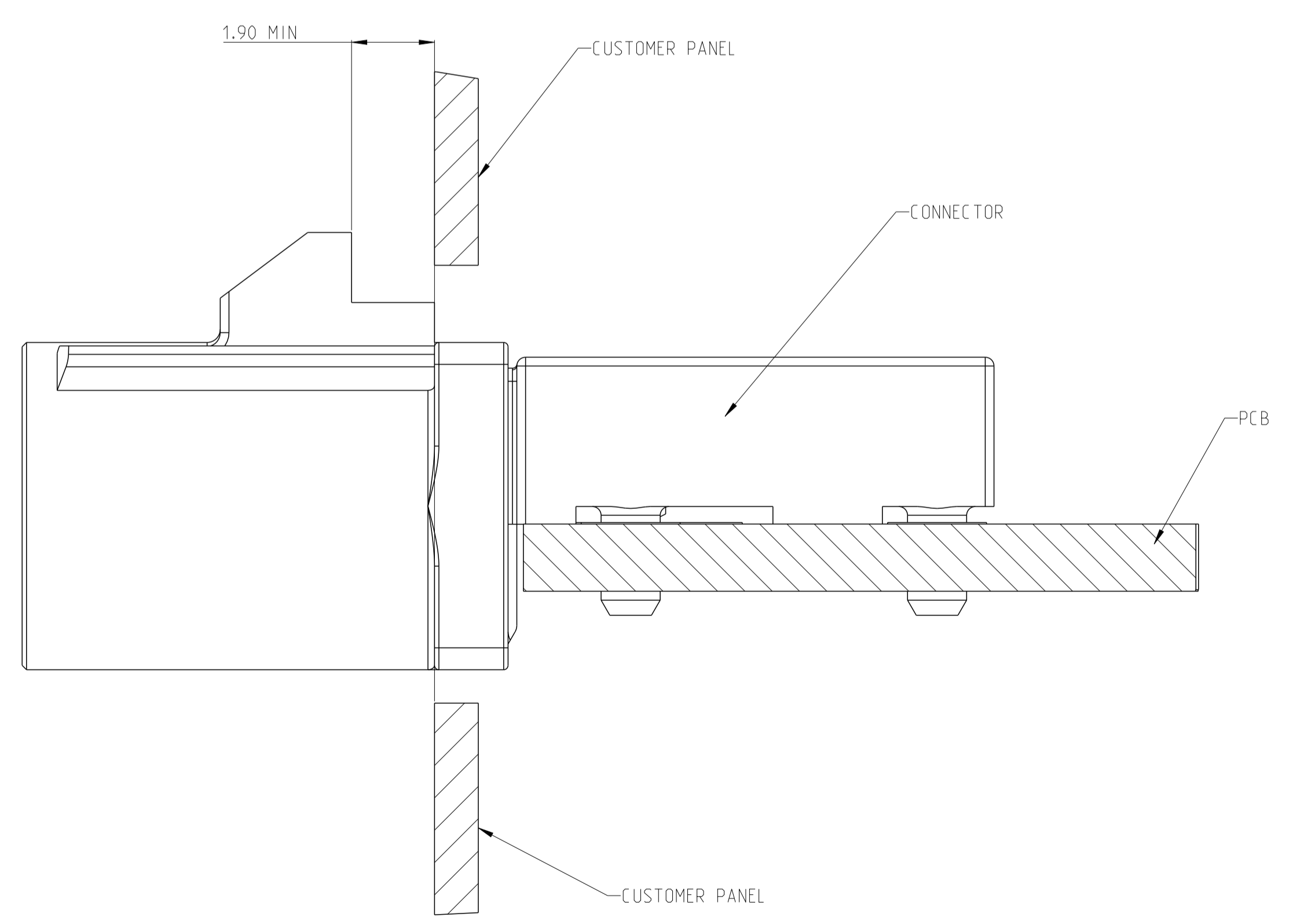
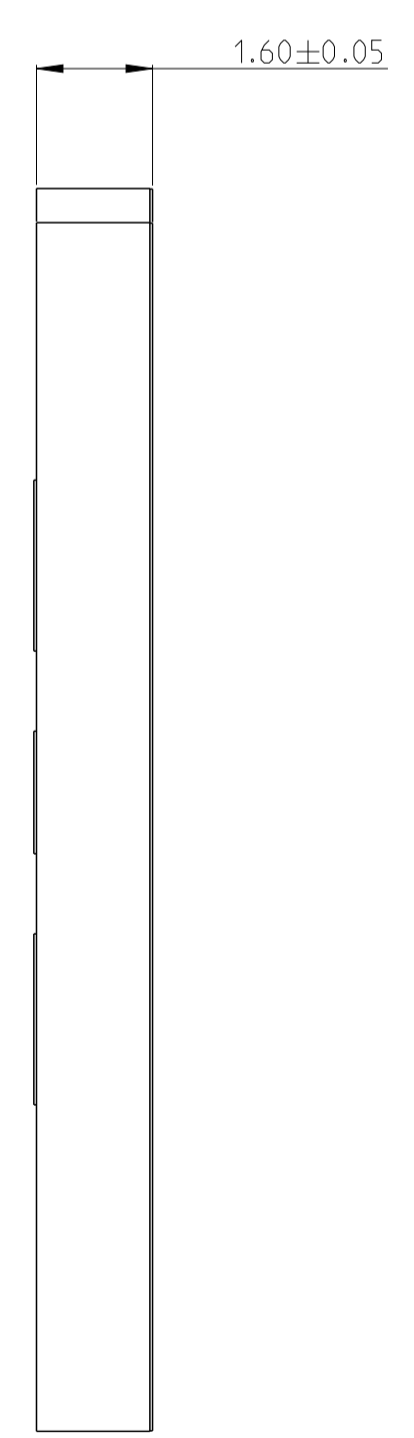
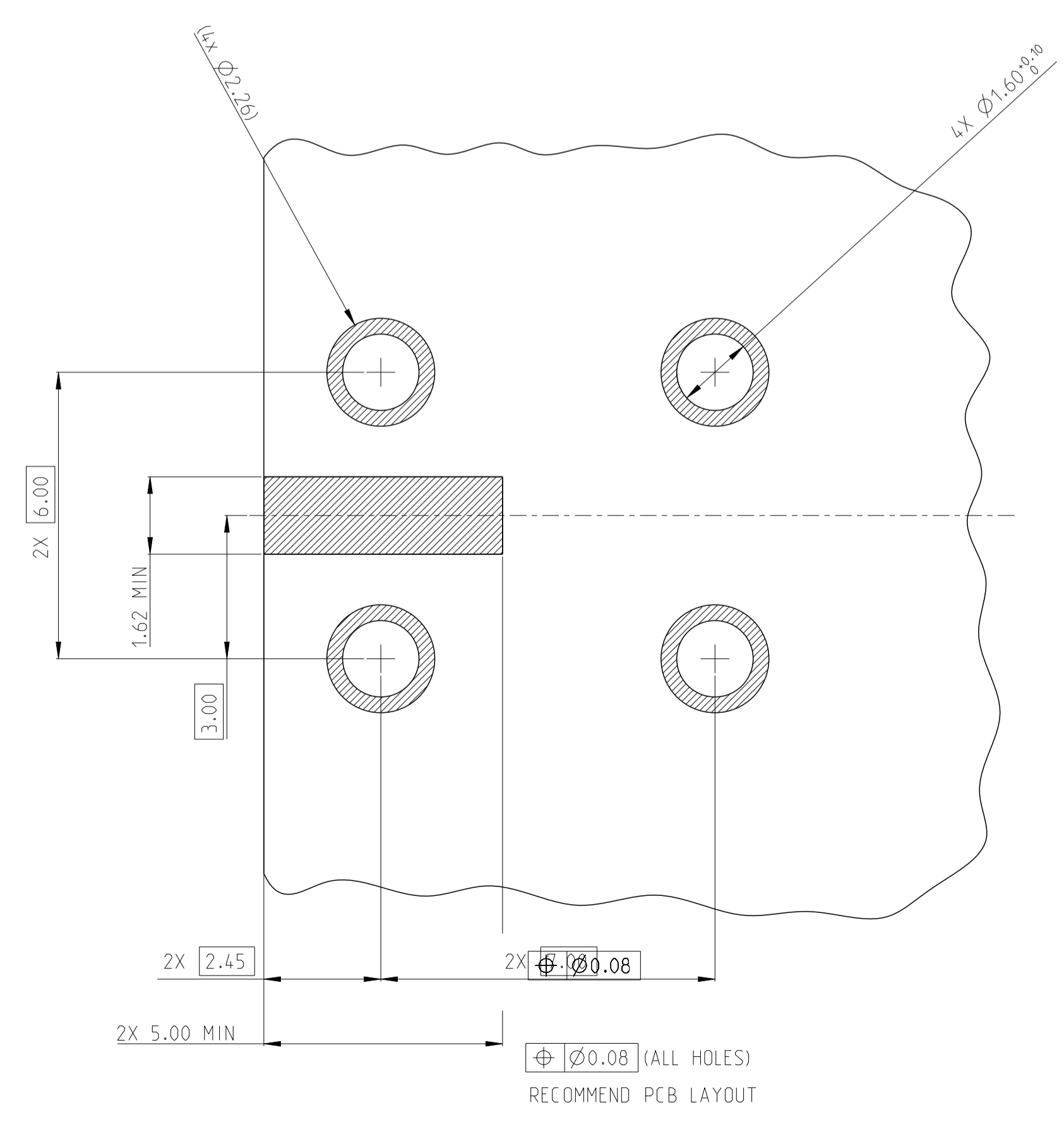


SCALE 5:1  
DETAIL Z

LATCH DIRECTION : 3 O'CLOCK



SCALE 5:1  
DETAIL A



RECOMMEND PANEL LAYOUT

THIS DRAWING IS A CONTROLLED DOCUMENT.		DWN: D.ZHU	19JUN2019	TE Connectivity
		CHK: W.W.U	01JUL2019	
DIMENSIONS: mm		APVD: L.Y.LIN	01JUL2019	NAME: FAKRA HEADER ASSEMBLY 1 POS. EDGE MOUNT PRODUCT SPEC: 108-32058 APPLICATION SPEC: 114-32108 WEIGHT: - SCALE: 5:1
TOLERANCES UNLESS OTHERWISE SPECIFIED:		0 PLC ±0.3 1 PLC ±0.20 2 PLC ±0.20 3 PLC ±0.20 4 PLC ±0.20 ANGLES ±0.5 FINISH ±0.1		
MATERIAL: -		SIZE: A1 CAGE CODE: - DRAWING NO: C=2314170		
RESTRICTED TO: -		CUSTOMER DRAWING SHEET 2 OF 2 REV A1		

# Mouser Electronics

Authorized Distributor

Click to View Pricing, Inventory, Delivery & Lifecycle Information:

[TE Connectivity:](#)

[2314170-2](#) [2314170-1](#) [2314170-3](#) [2314170-4](#)