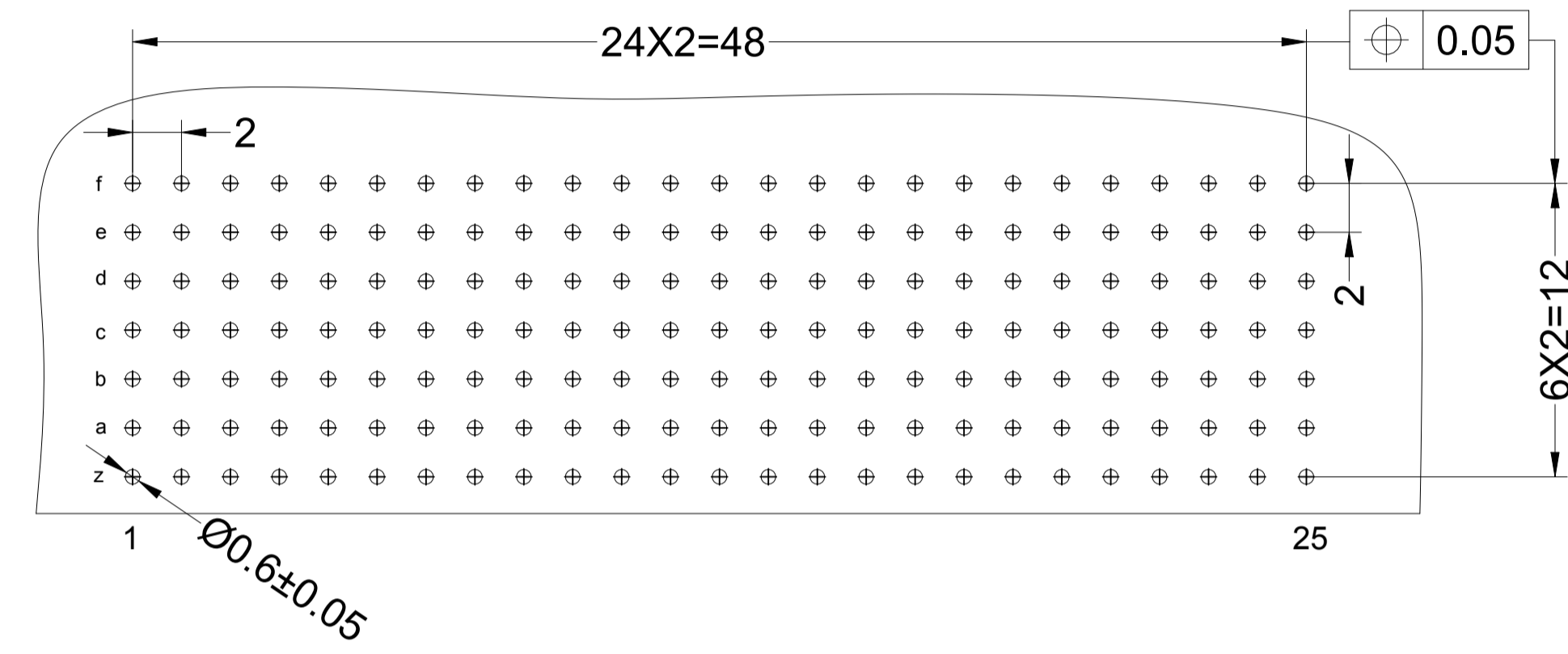
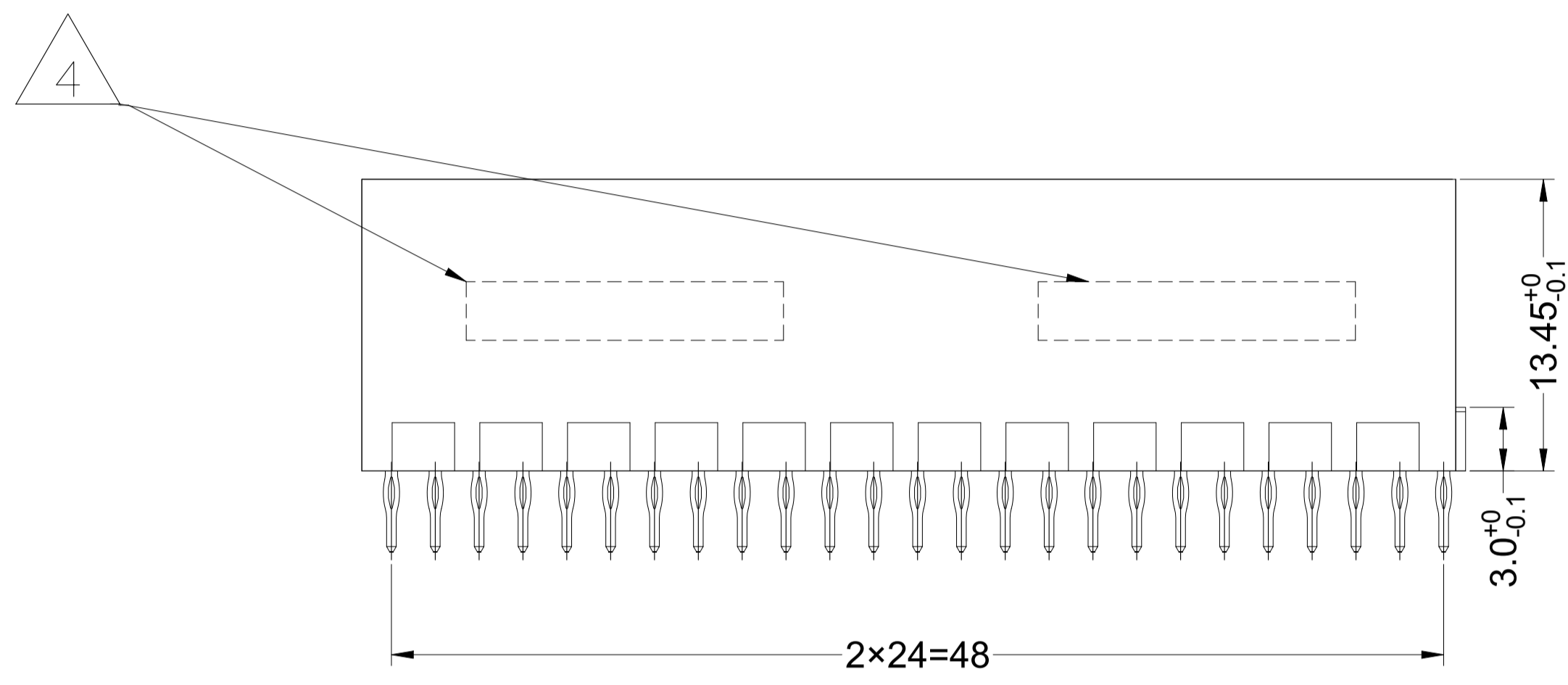
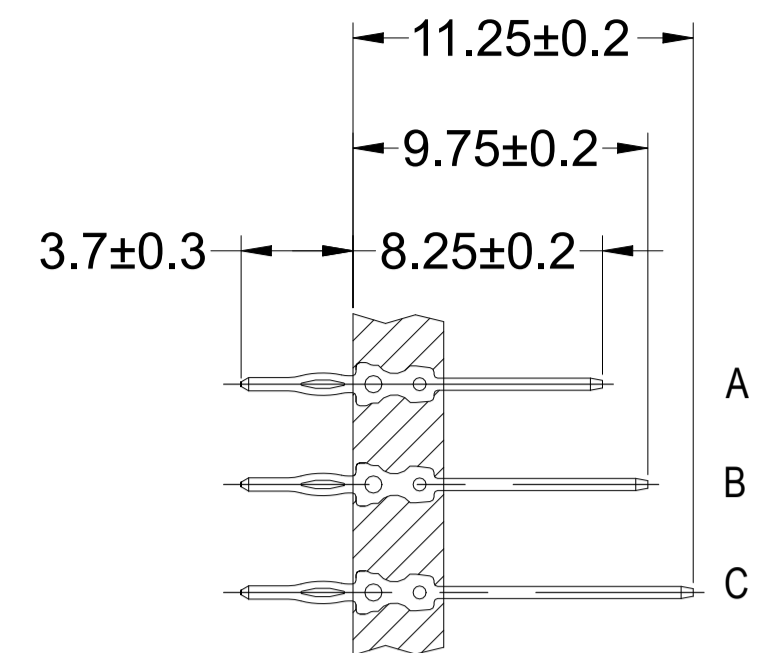
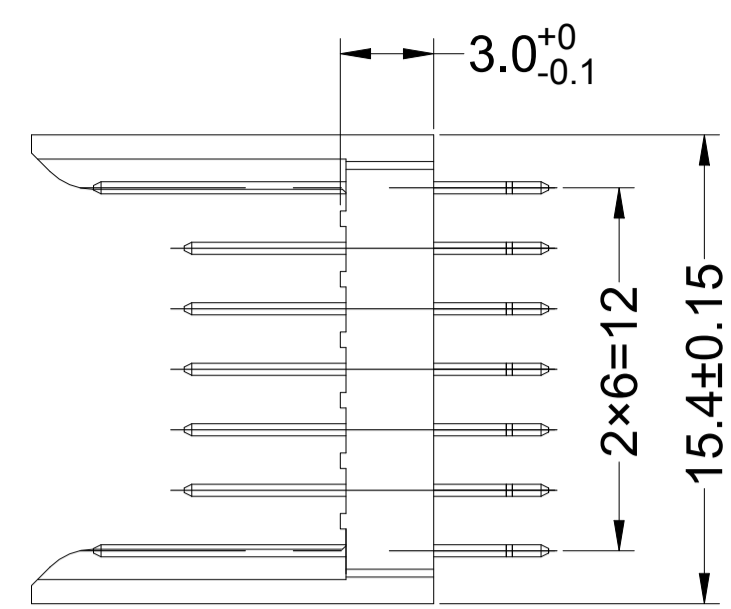
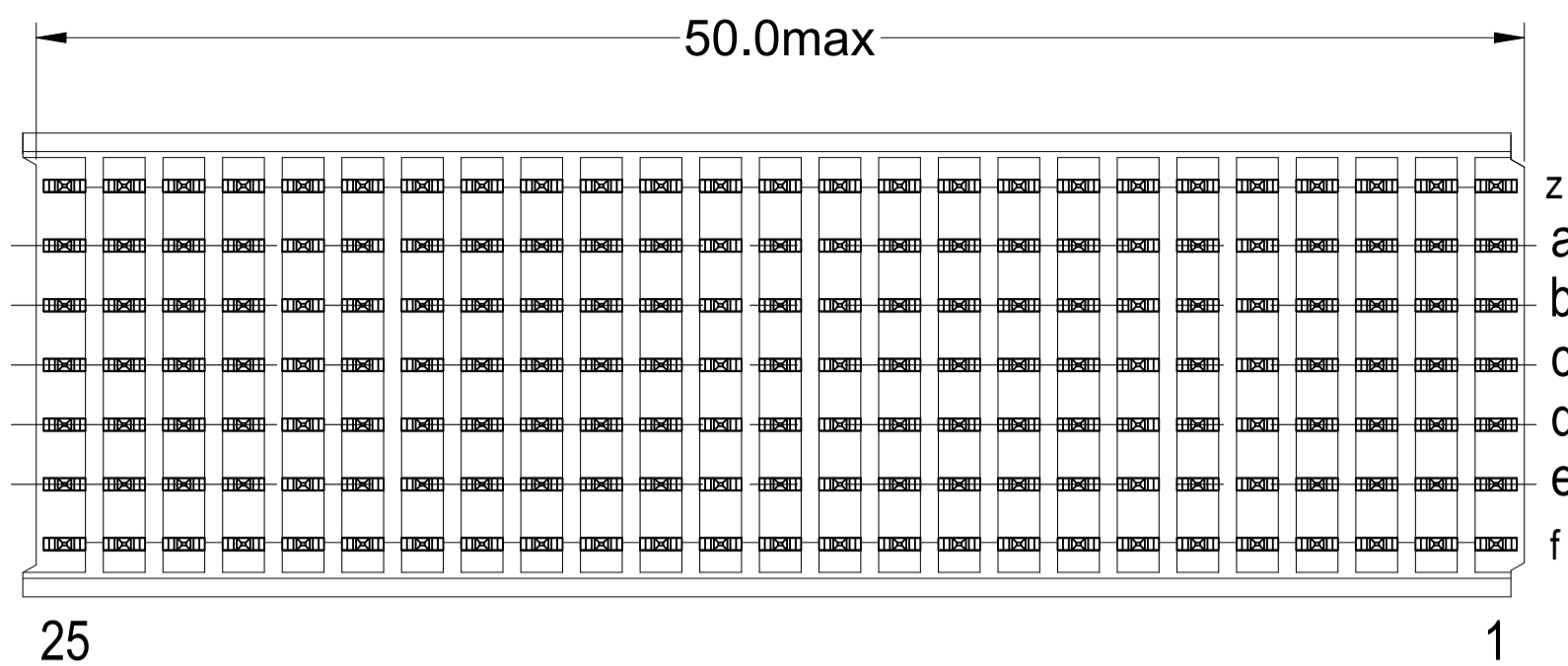


REVISIONS				
REV	DESCRIPTION	DATE	BY	APP'D
A	INITIAL DRAWING	18OCT2021	TL	HL



RECOMMEND PCB-HOLE LAYOUT
COMPONENT SIDE SHOWN
TOLERANCE ±0.05

25	24	23	22	21	20	19	18	17	16	15	14	13	12	11	10	9	8	7	6	5	4	3	2	1
C	C	C	C	C	C	C	C	C	C	C	C	C	C	C	C	C	C	C	C	C	C	C	C	C
A	A	A	A	A	A	A	A	A	A	A	A	A	A	A	A	A	A	A	A	A	A	A	A	A
A	A	A	A	A	A	A	A	A	A	A	A	A	A	A	A	A	A	A	A	A	A	A	A	A
A	A	A	A	A	A	A	A	A	A	A	A	A	A	A	A	A	A	A	A	A	A	A	A	A
A	A	A	A	A	A	A	A	A	A	A	A	A	A	A	A	A	A	A	A	A	A	A	A	A
C	C	C	C	C	C	C	C	C	C	C	C	C	C	C	C	C	C	C	C	C	C	C	C	C

- 1 MATERIAL:
CONTACT: COPPER ALLOY.
HOUSING: GLASS-FILLED POLYESTER.
- 2 GENERAL PLATING SPECIFICATION: UNDERPLATING (ENTIRE CONTACT): 1.27µm MIN NICKEL AND ACTION PIN: 0.5µm MIN TIN.
FOR PLATING OF MATING SURFACES SEE APPLICABLE SPECIFICATION REFERENCE FOR EACH DASH NUMBER.
- 3 CONFORMS TO ALL TESTING ACCORDING TO IEC 61076-4-101 PERFORMANCE LEVEL 2.
- 4 CONNECTOR MARKED WITH PART NUMBER AND DATE CODE.

2/3	2391877-1
FINISH	PART NUMBER

THIS DRAWING IS A CONTROLLED DOCUMENT.		DIN TONY LI 27MAY2021		NAME MALE ASSEMBLY, Z-PACK 2mm HM, 175P TYPE B EON	
DIMENSIONS: mm		CHK ALEX XU 27MAY2021		APVD HOPE LU 27MAY2021	
TOLERANCES UNLESS OTHERWISE SPECIFIED:		PRODUCT SPEC 108-19082		APPLICATION SPEC 114-160149	
0-PLC ±		SIZE A1		SCALE 4:1	
1-PLC ±0.2		WEIGHT 0		SHEET 1 of 1	
2-PLC ±		CUSTOMER DRAWING		REV A	
3-PLC ±					
4-PLC ±					
ANGLES ±					
MATERIAL 1		FINISH SEE TABLE			

Mouser Electronics

Authorized Distributor

Click to View Pricing, Inventory, Delivery & Lifecycle Information:

[TE Connectivity:](#)

[2391877-1](#)