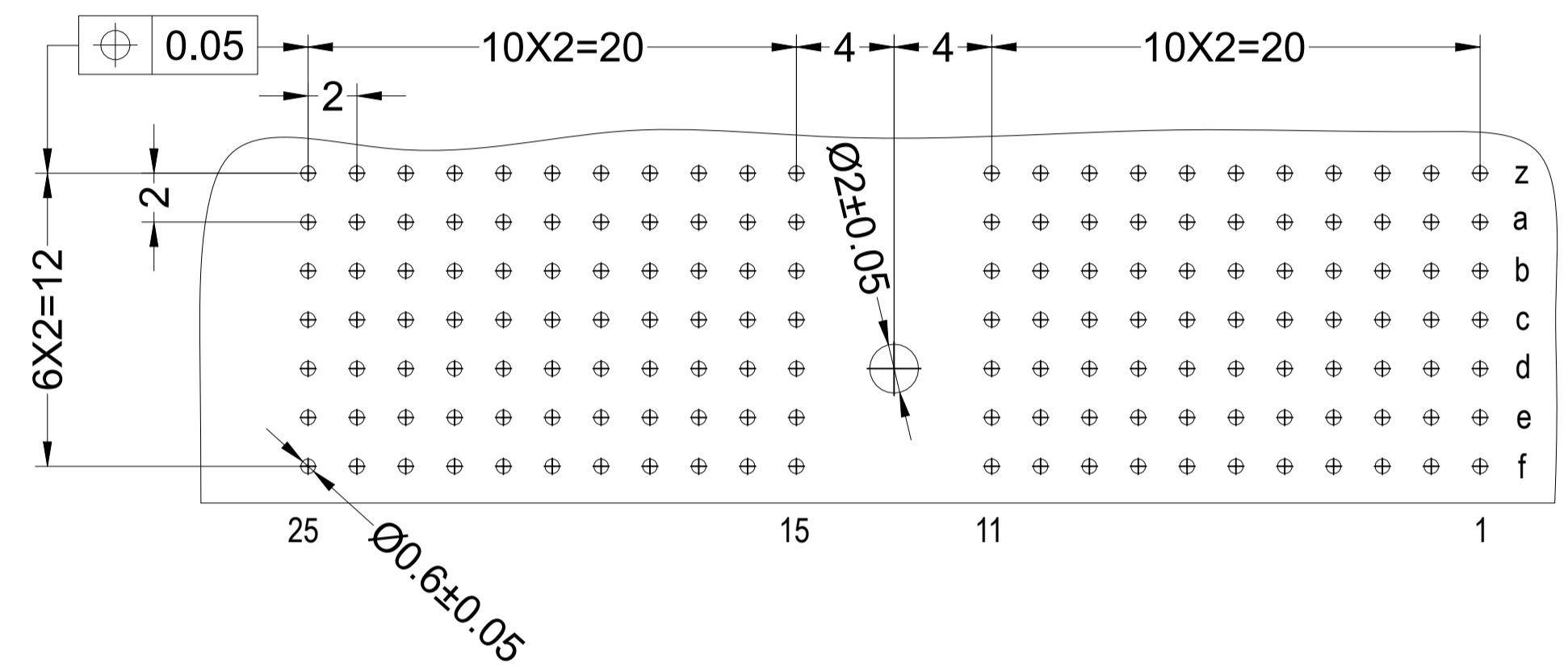
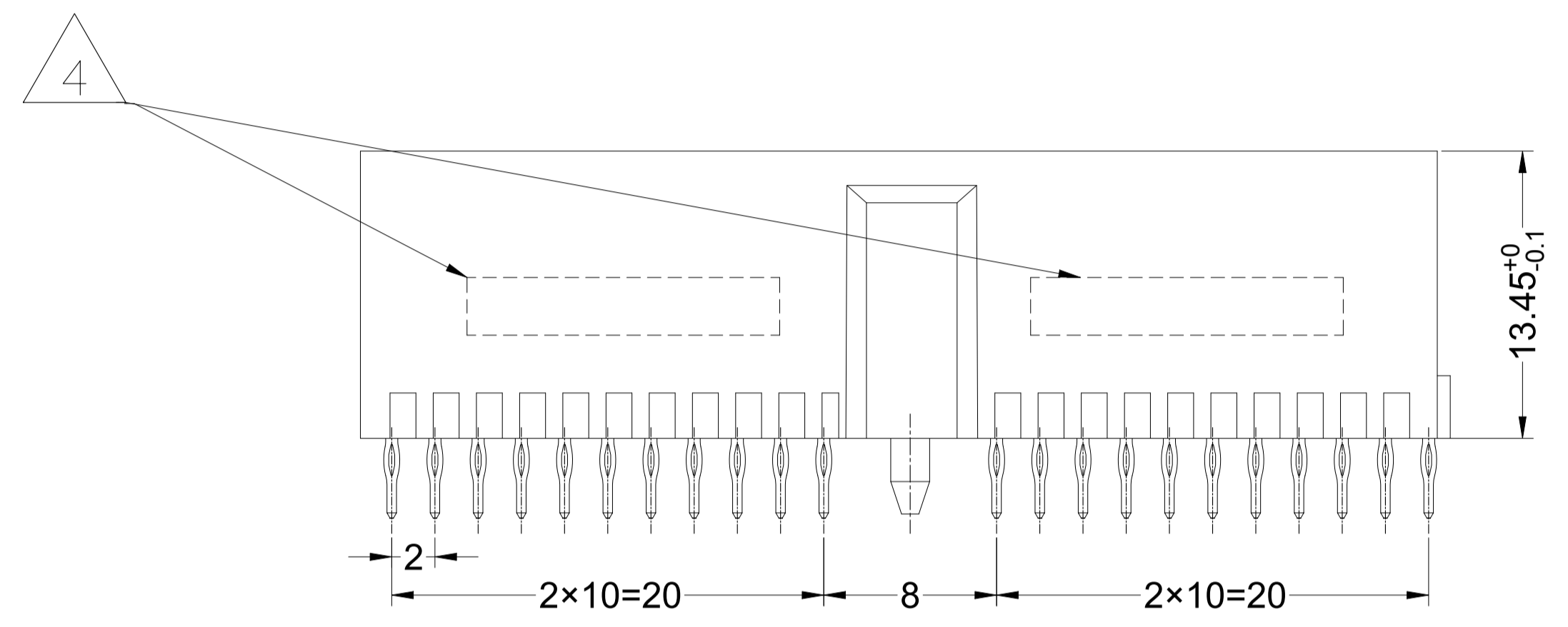
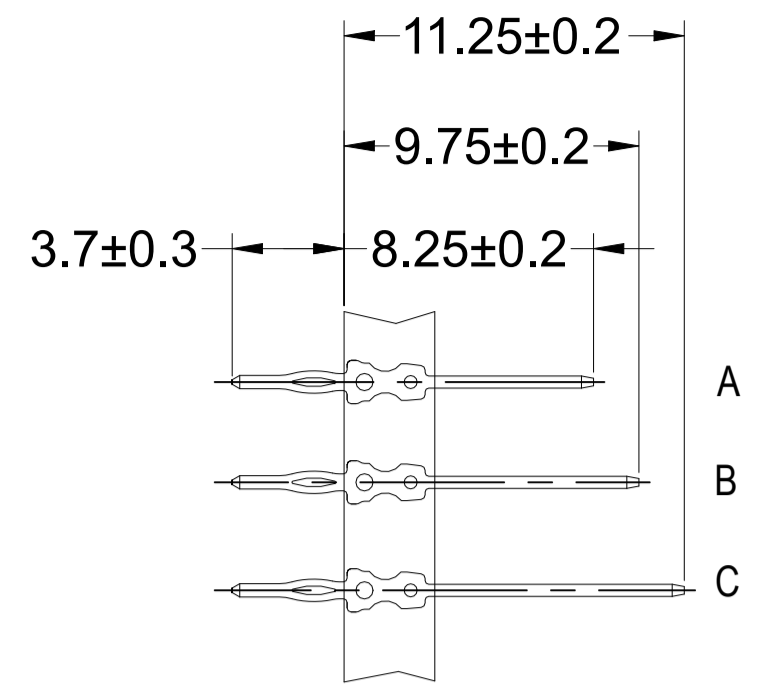
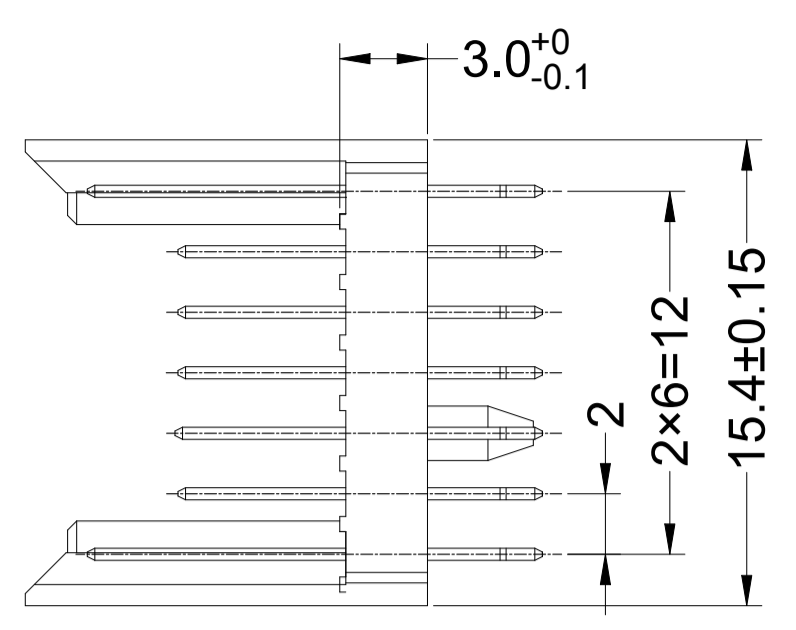
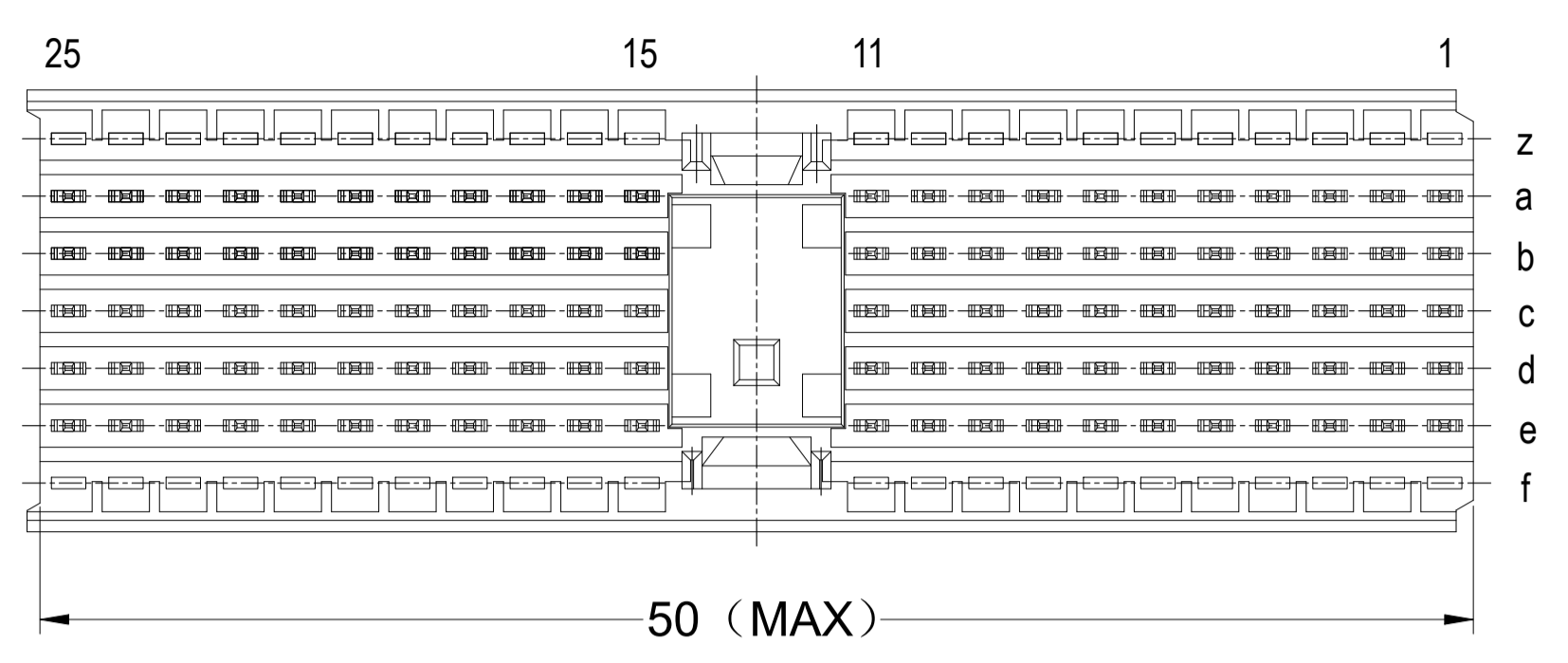
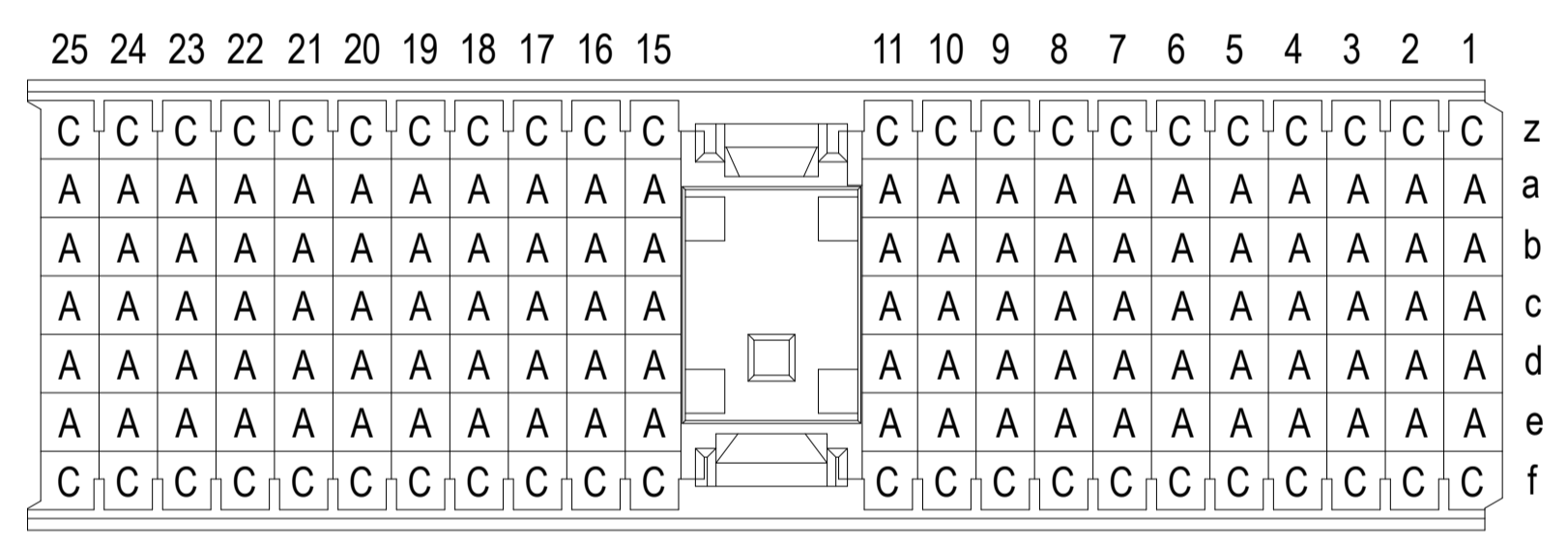


REVISIONS				
P	LTR	DESCRIPTION	DATE	APP'D
A		INITIAL DRAWING	18OCT2021	TL HL



RECOMMEND PCB-HOLE LAYOUT
 COMPONENT SIDE SHOWN
 TOLERANCE ±0.05



- 1 MATERIAL:
 CONTACT: COPPER ALLOY.
 HOUSING: GLASS-FILLED POLYESTER.
- 2 GENERAL PLATING SPECIFICATION: UNDERPLATING
 (ENTIRE CONTACT): 1.27µm MIN NICKEL AND ACTION
 PIN: 0.5µm MIN TIN.
 FOR PLATING OF MATING SURFACES SEE APPLICABLE
 SPECIFICATION REFERENCE FOR EACH DASH NUMBER.
- 3 CONFORMS TO ALL TESTING ACCORDING TO IEC 61076-4-101
 PERFORMANCE LEVEL 2.
- 4 CONNECTOR MARKED WITH PART NUMBER AND DATE CODE.

2/3	2391875-1
FINISH	PART NUMBER

THIS DRAWING IS A CONTROLLED DOCUMENT.		DIN TONY LI 27MAY2021	TE Connectivity Ltd.	
DIMENSIONS: mm		CHK ALEX XU 27MAY2021	NAME MALE ASSEMBLY, Z-PACK 2mm HM, 154P TYPE A EON	
TOLERANCES UNLESS OTHERWISE SPECIFIED:		APP'D HOPE LU 27MAY2021	APPLICATION SPEC 108-19082	
0-PLC ±		SIZE CAGE CODE DRAWING NO RESTRICTED TO		
1-PLC ±		114-160149		
2-PLC ±		WEIGHT 0		
3-PLC ±		A1 00779 C=2391875		
4-PLC ±		CUSTOMER DRAWING		
ANGLES ±		SCALE 4:1 SHEET 1 of 1 REV A		

Mouser Electronics

Authorized Distributor

Click to View Pricing, Inventory, Delivery & Lifecycle Information:

[TE Connectivity:](#)

[2391875-1](#)