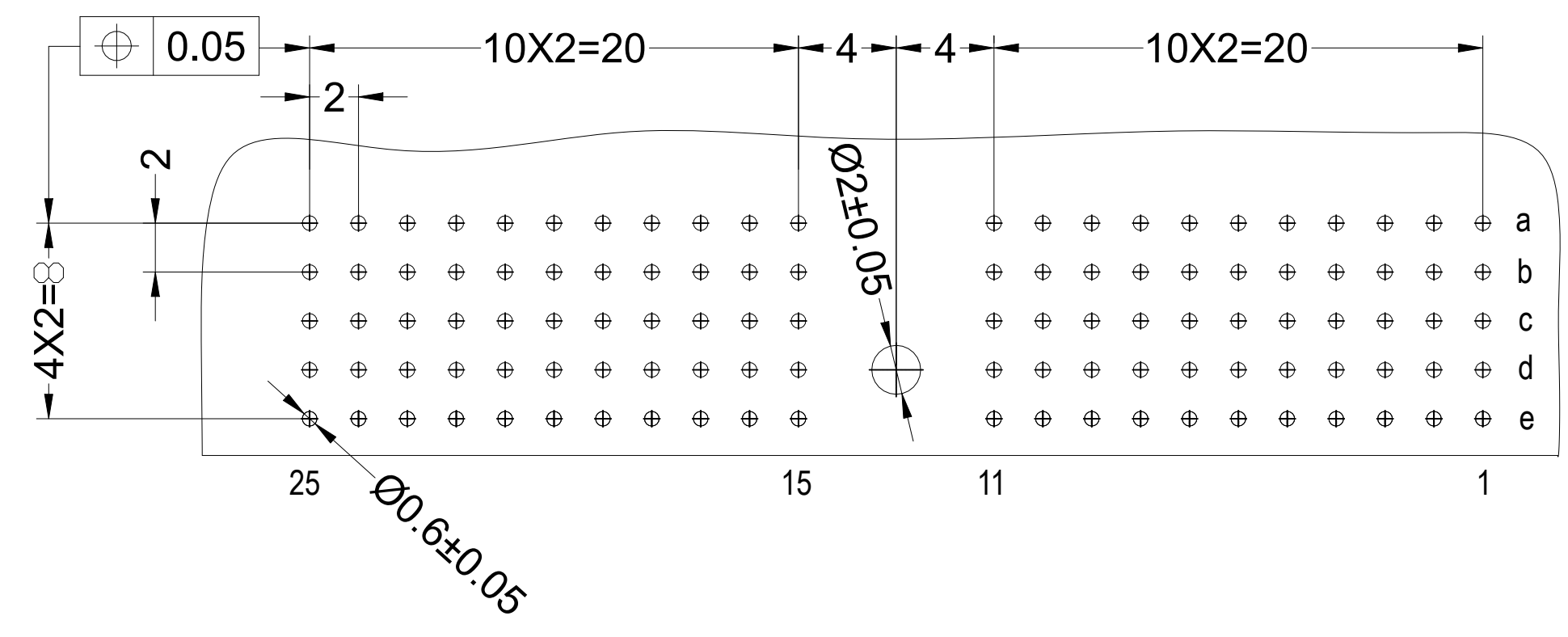
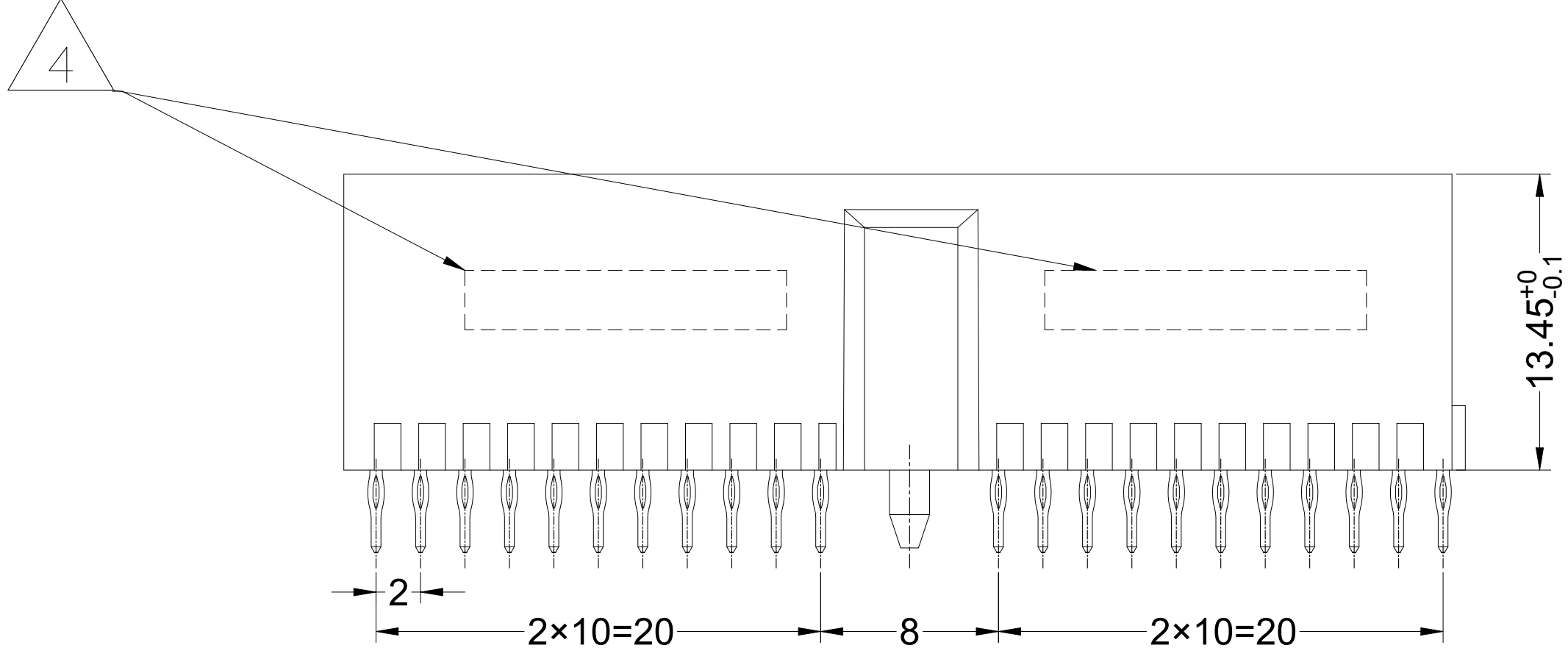
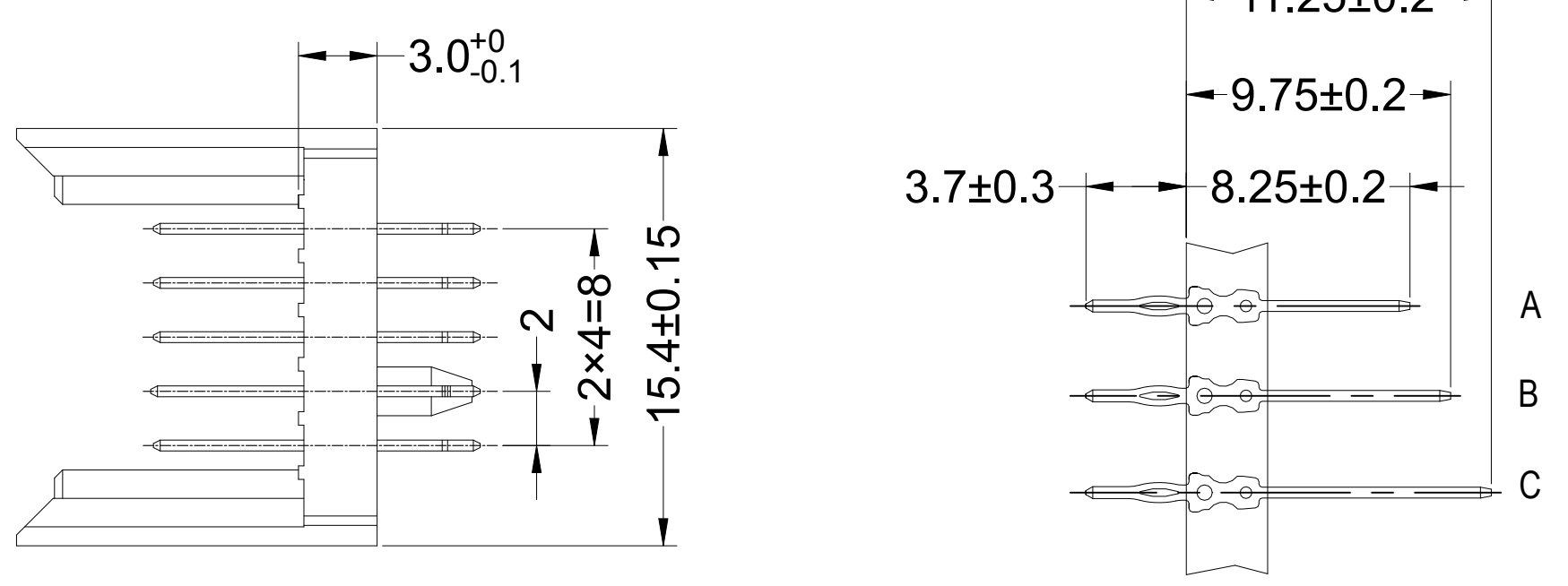
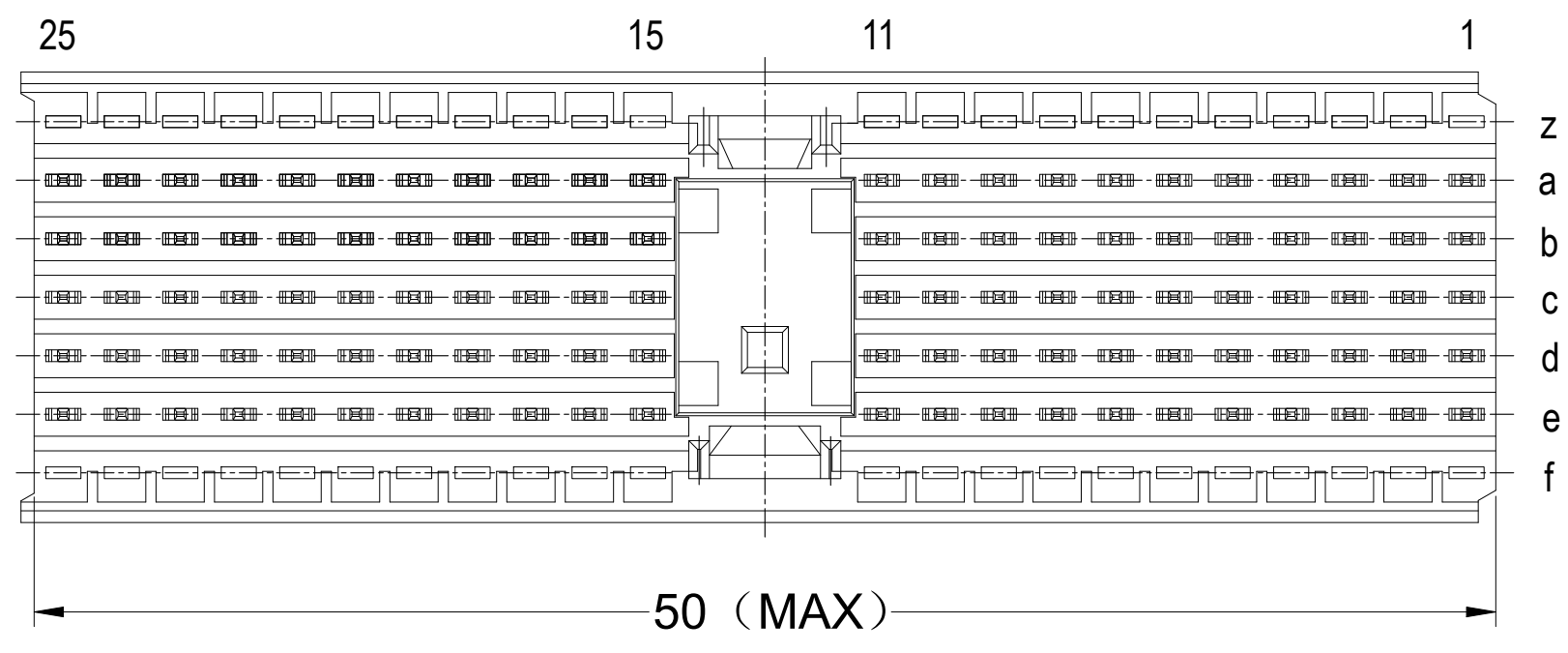
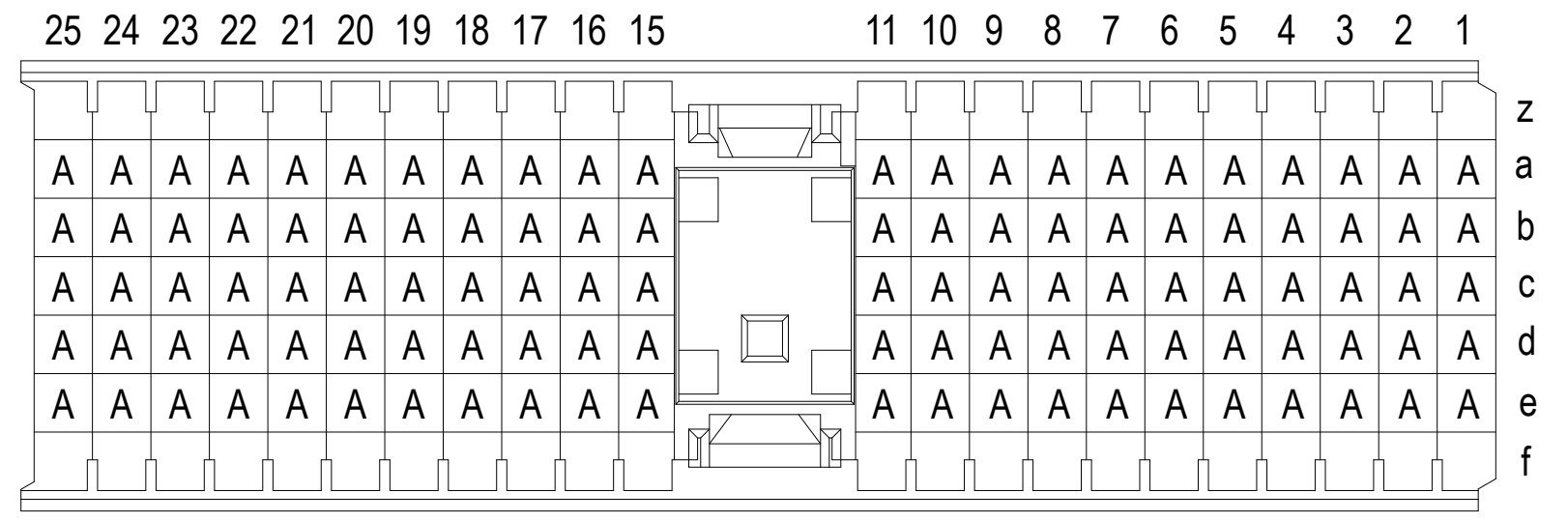


REVISIONS				
P	LTR	DESCRIPTION	DATE	APP'D
A		INITIAL DRAWING	18OCT2021	TL HL



RECOMMEND PCB-HOLE LAYOUT
 COMPONENT SIDE SHOWN
 TOLERANCE ±0.05



- 1 MATERIAL:
 CONTACT: COPPER ALLOY.
 HOUSING: GLASS-FILLED POLYESTER.
- 2 GENERAL PLATING SPECIFICATION: UNDERPLATING
 (ENTIRE CONTACT): 1.27µm MIN NICKEL AND ACTION
 PIN: 0.5µm MIN TIN.
 FOR PLATING OF MATING SURFACES SEE APPLICABLE
 SPECIFICATION REFERENCE FOR EACH DASH NUMBER.
- 3 CONFORMS TO ALL TESTING ACCORDING TO IEC 61076-4-101
 PERFORMANCE LEVEL 2.
- 4 CONNECTOR MARKED WITH PART NUMBER AND DATE CODE.

2/3	2391870-1
FINISH	PART NUMBER

THIS DRAWING IS A CONTROLLED DOCUMENT.		DIN TONY LI 27MAY2021	TE Connectivity Ltd.	
DIMENSIONS: mm		CHK ALEX XU 27MAY2021	NAME MALE ASSEMBLY, Z-PACK 2mm HM, 110P TYPE A EON	
TOLERANCES UNLESS OTHERWISE SPECIFIED:		APVD HOPE LU 27MAY2021	PRODUCT SPEC 108-19082	
0-PLC ±		APPLICATION SPEC 114-160149	SIZE A1	CAGE CODE DRAWING NO 00779
1-PLC ±0.2		WEIGHT 0	SCALE 4:1	SHEET 1 of 1
2-PLC ±		CUSTOMER DRAWING	REV A	
3-PLC ±				
4-PLC ±				
ANGLES ±				
MATERIAL 1		FINISH SEE TABLE		

Mouser Electronics

Authorized Distributor

Click to View Pricing, Inventory, Delivery & Lifecycle Information:

[TE Connectivity:](#)

[2391870-1](#)